

Reducing adaptor with captive seal (body only)
 Gewinde-Reduzierstutzen mit Weichdichtung
 Réduction filetée avec joint mou (corps)

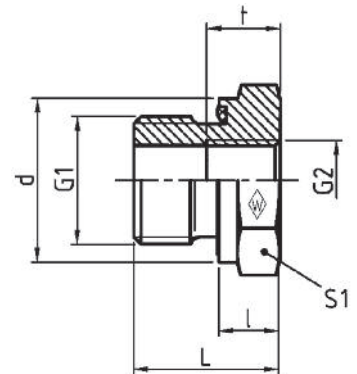


RED-WD/...

with captive seal: NBR* (e. g. Perbunan)
 BSP thread (parallel)

mit Weichdichtung: NBR* (z. B. Perbunan)
 Whitworth-Rohrgewinde (zylindrisch)

avec joint mou: NBR* (p. ex. Perbunan)
 Filetage Whitworth (cylindrique)



DIN-ISO 228 (R ..., DIN 259)

| bar | DIN-ISO 228 (R ..., DIN 259) | | Type | Reference | kg per 100 pcs. | L | l | d | t | S ₁ |
|---------------|------------------------------|----------------|-----------------------------|------------------|--------------------|------|------|------|----|----------------|
| PN | G ₁ | G ₂ | Typ | Best.-Nr. | | | | | | |
| (psi) | ↓ | ↓ | Désignation | Réf. | kg per 100 St. | | | | | |
| 630 (9137) | G 3/8 A | G 1/8 | RED-R 3/8-WD/R 1/8 | WAL606600 | 4,0 | 22,5 | 10,5 | 21,9 | 8 | 22 |
| | | G 1/8 | RED-R 1/2-WD/R 1/8 | WAL606601 | 6,6 | 24 | 10 | 26,9 | 8 | 27 |
| | G 1/2 A | G 1/4 | RED-R 1/2-WD/R 1/4 | WAL606602 | 6,0 | 24 | 10 | 26,9 | 12 | 27 |
| 400 (5801) | G 3/4 A | G 1/4 | RED-R 3/4-WD/R 1/4 | WAL606603 | 9,5 | 26 | 10 | 31,9 | 12 | 32 |
| | | G 3/8 | RED-R 3/4-WD/R 3/8 | WAL606604 | 9,0 | 26 | 10 | 31,9 | 12 | 32 |
| | G 1 A | G 1/4 | RED-R 1 -WD/R 1/4 | WAL606605 | 20,0 | 29 | 11 | 39,9 | 12 | 41 |
| | | G 3/8 | RED-R 1 -WD/R 3/8 | WAL606606 | 18,0 | 29 | 11 | 39,9 | 12 | 41 |
| | | G 1/2 | RED-R 1 -WD/R 1/2 | WAL606607 | 16,0 | 29 | 11 | 39,9 | 14 | 41 |
| | G 1 1/4 A | G 1/2 | RED-R 1 1/4-WD/R 1/2 | WAL606608 | 31,0 | 32 | 12 | 49,9 | 14 | 50 |
| | | G 3/4 | RED-R 1 1/4-WD/R 3/4 | WAL606609 | 27,0 | 32 | 12 | 49,9 | 16 | 50 |
| | G 1 1/2 A | G 1/2 | RED-R 1 1/2-WD/R 1/2 | WAL606610 | 47,0 | 36 | 12 | 54,9 | 14 | 55 |
| | | G 3/4 | RED-R 1 1/2-WD/R 3/4 | WAL606611 | 43,0 | 36 | 14 | 54,9 | 16 | 55 |
| | | G 1 | RED-R 1 1/2-WD/R 1 | WAL606612 | 34,5 | 36 | 14 | 54,9 | 18 | 55 |

* FPM (e. g. Viton) on request
 * FPM (z. B. Viton) auf Anfrage
 * FPM (p. ex. Viton) sur demande



Reducing adaptor with captive seal (body only)
 Gewinde-Reduzierstutzen mit Weichdichtung
 Réduction filetée avec joint mou (corps)

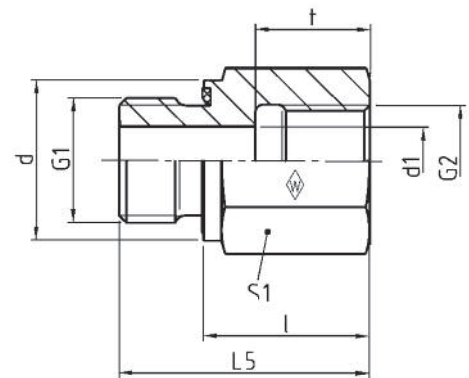


RED-WD/...

with captive seal: NBR* (e. g. Perbunan)
 BSP thread (parallel)

mit Weichdichtung: NBR* (z. B. Perbunan)
 Whitworth-Rohrgewinde (zylindrisch)

avec joint mou: NBR* (p. ex. Perbunan)
 Filetage Whitworth (cylindrique)



DIN-ISO 228 (R ..., DIN 259)

| bar | | | Type | Reference | kg per | | | | | | |
|--------------------------|--------------------------|----------------|-------------------------------|-------------------------|------------------|------|----|------|----------------|------|----------------|
| PN | ↓ | ↓ | Typ | Best.-Nr. | 100 pcs. | | | | | | |
| (psi) | G ₁ | G ₂ | Désignation | Réf. | kg per | L | l | d | d ₁ | t | S ₁ |
| | | | | | 100 St. | | | | | | |
| | | | | | kg par | | | | | | |
| | | | | | 100 p. | | | | | | |
| 400 (5801) | G 1/8 A | G 1/4 | RED-R 1/8-WD/R 1/4 | WAL606613 | 3,6 | 31 | 23 | 13,9 | 4 | 17 | 19 |
| | | G 3/8 | RED-R 1/8-WD/R 3/8 | WAL606614 | 4,5 | 32 | 24 | 13,9 | 4 | 17 | 24 |
| | G 1/4 A | G 1/8 | RED-R 1/4-WD/R 1/8 | WAL606615 | 3,6 | 29 | 17 | 18,9 | 5 | 12 | 19 |
| | | G 3/8 | RED-R 1/4-WD/R 3/8 | WAL606616 | 6,6 | 36 | 24 | 18,9 | 5 | 17 | 24 |
| | | G 1/2 | RED-R 1/4-WD/R 1/2 | WAL606617 | 8,5 | 40 | 28 | 18,9 | 5 | 20 | 30 |
| | G 3/8 A | G 3/4 | RED-R 1/4-WD/R 3/4 | WAL606618 | 17,3 | 43 | 31 | 18,9 | 5 | 22 | 36 |
| | | G 1/4 | RED-R 3/8-WD/R 1/4 | WAL606619 | 3,0 | 36 | 24 | 21,9 | 8 | 17 | 22 |
| | | G 1/2 | RED-R 3/8-WD/R 1/2 | WAL606620 | 9,0 | 41 | 29 | 21,9 | 8 | 20 | 30 |
| | G 1/2 A | G 3/4 | RED-R 3/8-WD/R 3/4 | WAL606621 | 17,5 | 44 | 32 | 21,9 | 8 | 22 | 36 |
| | | G 3/8 | RED-R 1/2-WD/R 3/8 | WAL606622 | 9,5 | 37 | 23 | 26,9 | 12 | 17 | 27 |
| | | G 3/4 | RED-R 1/2-WD/R 3/4 | WAL606623 | 18,0 | 46 | 32 | 26,9 | 12 | 22 | 36 |
| | 250 (3626) 400 (5801) | G 1/2 A | G 1 | RED-R 1/2-WD/R 1 | WAL606624 | 22,5 | 49 | 35 | 26,9 | 12 | 24,5 |
| G 1 1/4 | | | RED-R 1/2-WD/R 1 1/4 | WAL606625 | 47,0 | 53 | 39 | 26,9 | 12 | 26,5 | 55 |
| 250 (3626) 400 (5801) | G 3/4 A | G 1/2 | RED-R 3/4-WD/R 1/2 | WAL606626 | 15,0 | 43 | 27 | 31,9 | 16 | 20 | 32 |
| | | G 1 | RED-R 3/4-WD/R 1 | WAL606627 | 23,5 | 51 | 35 | 31,9 | 16 | 24,5 | 41 |
| 250 (3626) 400 (5801) | G 3/4 A | G 1 1/4 | RED-R 3/4-WD/R 1 1/4 | WAL606628 | 48,3 | 55 | 39 | 31,9 | 16 | 26,5 | 55 |
| | | G 1 1/2 | RED-R 3/4-WD/R 1 1/2 | WAL606629 | 54,5 | 57 | 41 | 31,9 | 16 | 28,5 | 60 |
| 400 (5801) | G 1 A | G 3/4 | RED-R 1 -WD/R 3/4 | WAL606630 | 28,0 | 49 | 31 | 39,9 | 20 | 22 | 41 |
| 250 (3626) | G 1 A | G 1 1/4 | RED-R 1 -WD/R 1 1/4 | WAL606631 | 51,0 | 57 | 39 | 39,9 | 20 | 26,5 | 55 |
| | | G 1 1/2 | RED-R 1 -WD/R 1 1/2 | WAL606632 | 56,5 | 59 | 41 | 39,9 | 20 | 28,5 | 60 |
| 400 (5801) | G 1 1/4 A | G 1 | RED-R 1 1/4-WD/R 1 | WAL606633 | 45,5 | 53 | 33 | 49,9 | 25 | 24,5 | 50 |
| 250 (3626) | G 1 1/4 A | G 1 1/2 | RED-R 1 1/4-WD/R 1 1/2 | WAL606634 | 58,0 | 60 | 40 | 49,9 | 25 | 28,5 | 60 |
| | | G 1 1/4 | RED-R 1 1/2-WD/R 1 1/4 | WAL606635 | 53,0 | 58 | 36 | 54,9 | 32 | 26,5 | 55 |

* FPM (e. g. Viton) on request
 * FPM (z. B. Viton) auf Anfrage
 * FPM (p. ex. Viton) sur demande