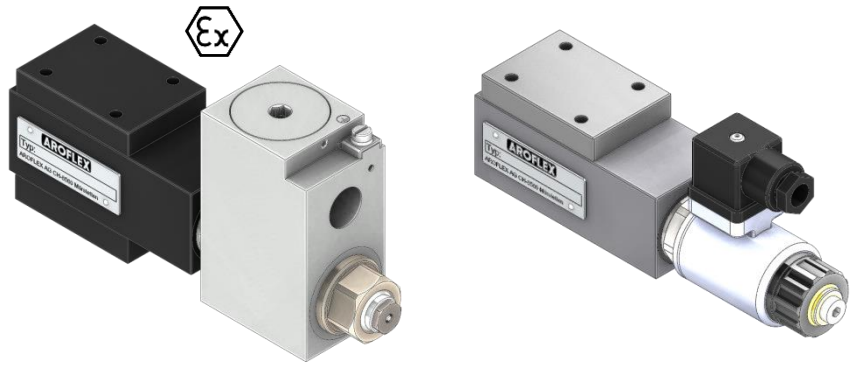


- **direct operated**
- **Q_{max} = 25 l/min**
- **p_{max} = 400 bar**
- **p_{Nmax} = 350 bar**



Description

The direct operated proportional pressure relief valve is available in flange and sandwich construction according to ISO 4401-03. Incorporated is a proportional pressure relief cartridge size M22x1,5 according to ISO 7789.

By adjusting the electric current to the solenoid the operating pressure changes proportionally. When the operating pressure is reached, the poppet spool opens and connects the protected line to the tank. Back pressure in T influences thereby the pressure in

the protected pressure lines. These pressure relief valves are built according to the differential spool principle and are therefore very sensitive adjustable over the whole pressure range and also suitable for systems with extremely low minimum pressures.

The valves have their applications in hydraulic systems in which the pressure frequently has to be changed. The facility for remote control and signal processing from process control systems enable economical solutions for repeatable sequences.

Technical Data

General Specifications	PEPDB	PEPDB-Exd-L15
Mounting position:	any (solenoid down, only after consulting the manufacturer)	
Nominal size:	NG6, DIN 24340 A 06, ISO 4401-03, Cetop 3	

Solenoid coil	24VDC	Exd-L15
Explosion protection marking:	none	Ex II 2 G Ex d IIC T4
Type:		MKY45/18x60-G24/L15
EC-type examination certificate:		PTB 07 ATEX 1023 IECEX PTB 10.0020
Ambient temperature:	- 20° ... + 70°C	- 25° ... + 70°C
Rated voltage:	24VDC	24VDC
Rated power:	16 W	15 W
Current range:	0 - 0.68 A	
Limiting current:		450 mA
Operating time:	100%	
Protection class:	IP65 according EN 60 529	
Connection:	Plug connection ISO 4400/DIN 43650 (2P+E)	Terminal box with thread M20x1.5

Safety instructions for Exd-L15

The solenoid coils must only be mounted on those valves assigned to. It is essential to read the solenoids operating instructions.

Hydraulic Specifications		
Max. volume flow:	Q _{max} = 10 l/min for p _N = 350 bar	
	Q _{max} = 20 l/min for p _N = 315 bar	
	Q _{max} = 25 l/min for p _N = 200 bar, 100 bar and 20 bar	
Max. pressure:	p _{max} = 400 bar	
Fluid:	Mineral oil, other fluids on request	
Fluid temperature::	- 20° ... + 70° C	- 25° ... + 70° C
Viscosity range:	12-320 mm ² /s (cSt)	
Filtration:	25 µm minimum, recommended: 10µm or better	
Resolution:	1 mA	
Repeatability:	≤ 1.5 % at optimal dither signal	
Hysteresis:	≤ 3 % at optimal dither signal	

Overview

Symbols	Description	Design
	PEPDB-06-...-SD ...	Pressure relief from P to T flange construction
	PEPDB-06-...-SW ...	Pressure relief from P to T sandwich construction
	PEPDB-06-...-SWA ...	Pressure relief from A to T sandwich construction
	PEPDB-06-...-SWB ...	Pressure relief from B to T sandwich construction
	PEPDB-06-...-SWAB ...	Pressure relief from AB to T sandwich construction

Type code

PEPDB	-06	-...	-...	-...
-------	-----	------	------	------

omit = 24 VDC standard
Exd-L15 = II 2 G Ex d IIC T4
SD = flange construction (P → T)
SW = sandwich construction (P → T)
SWA = sandwich construction (A → T)
SWB = sandwich construction (B → T)
SWAB = sandwich construction (AB → T)

nominal pressure range
20 = 20 bar **200** = 200 bar **350** = 350 bar
100 = 100 bar **315** = 315 bar

06 = NG 6
proportional pressure relief valve, direct operated

Ordering code (example):

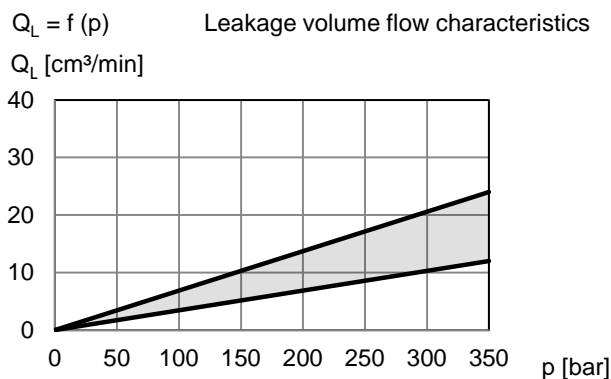
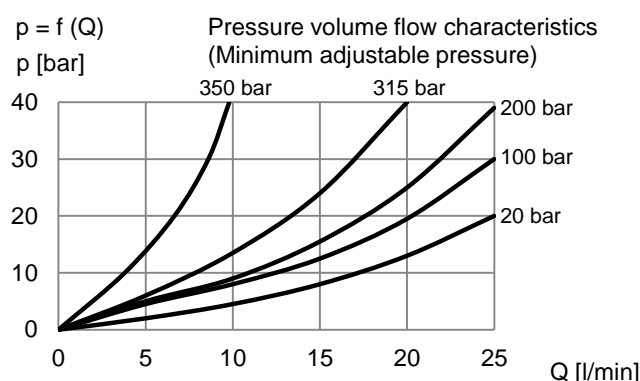
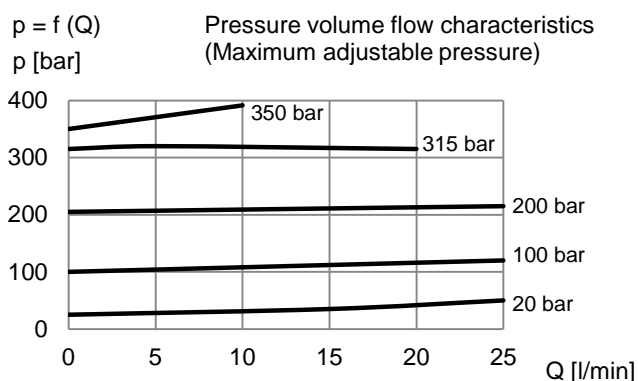
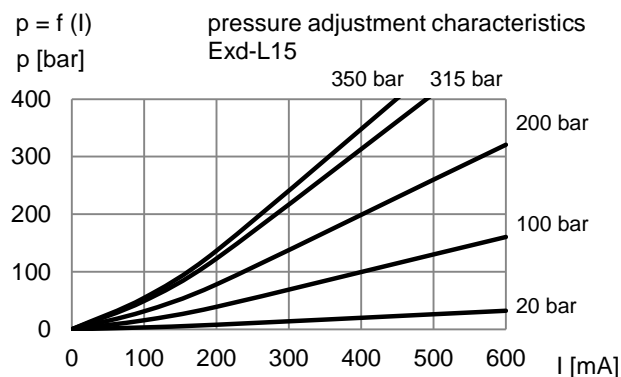
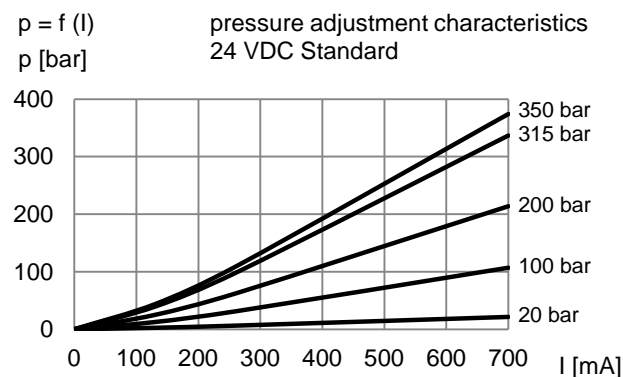
- Proportional pressure relief valve NG6
- Pressure relief from P to T
- Sandwich construction
- Explosion proof execution II 2 G Ex d IIC T4

Type Code

PEPDB-06-350-SW-Exd-L15

Characteristics

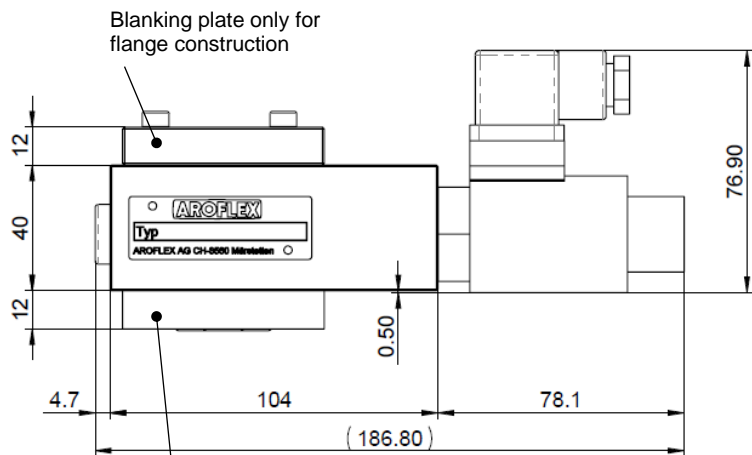
oil viscosity $\nu = 30 \text{ mm}^2/\text{s}$



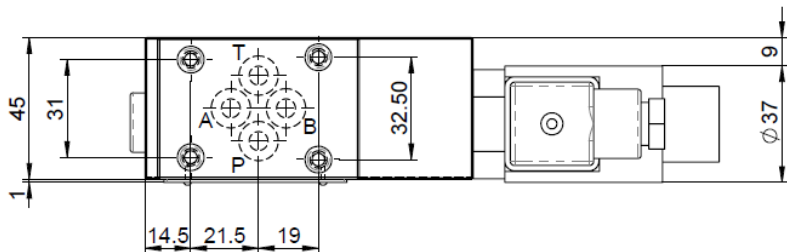
Dimensions

Pictured: PEPDB-06-...-SD / SWB

Weight: 2 kg

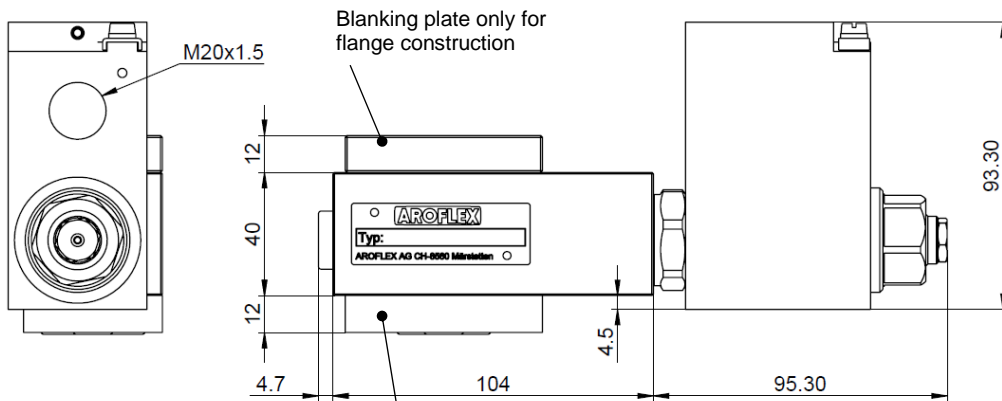


Order distance plate separately



Pictured: PEPDB-06-...-SD / SWB-Exd-L15

Weight: 3.7 kg



Order distance plate separately

