

STAINLESS STEEL



NH46

NH47

NH54

NH55



Lind Jensens Maskinfabrik A/S
Kroghusvej 7, Højmark
DK-6940 Lem St. • Denmark
Home page: www.ljm.dk



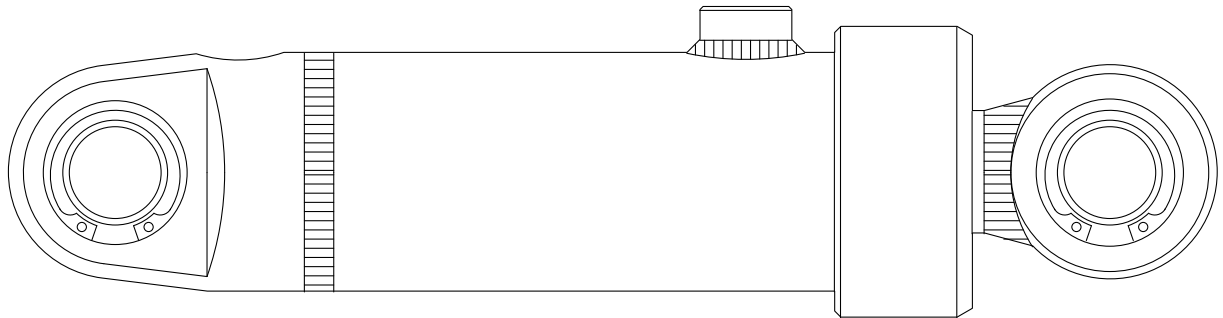


Oversigtsblad / Übersicht / Design features

for NH 54/55 cylinder

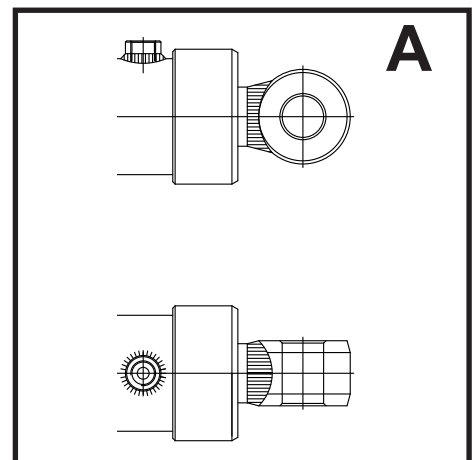
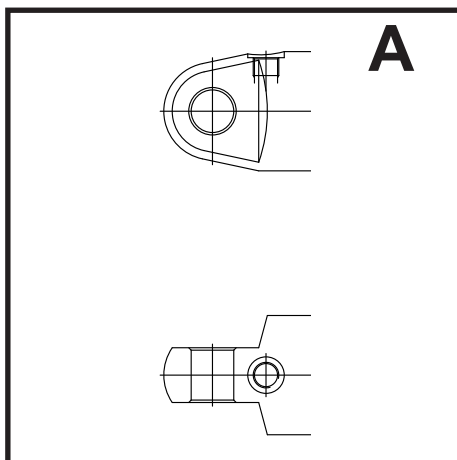
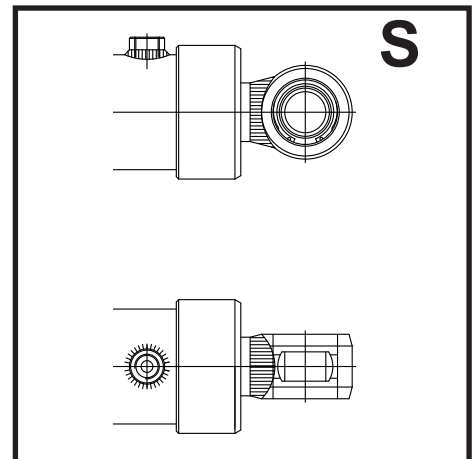
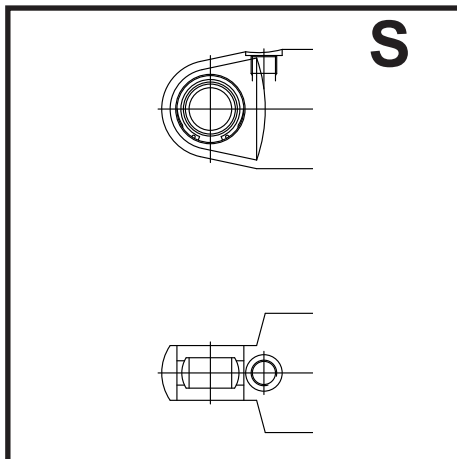
für NH 54/55 Zylinder

for NH 54/55 cylinder



* Grundtyper/
Zylinderbefestigung/
Basic types

Stempelstangsophæng/
Kolbenstangenbefestigung/
Piston rod mounting



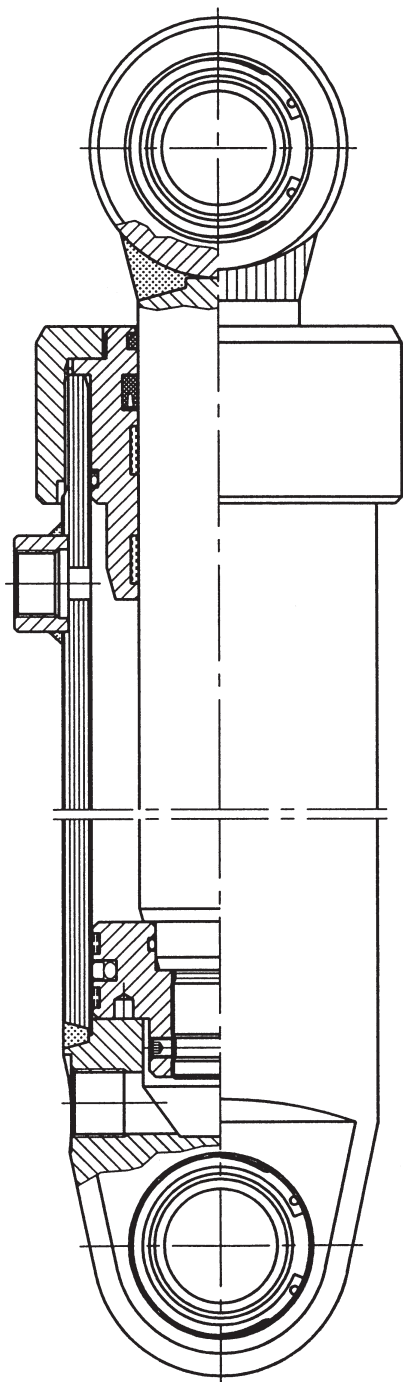
Lind Jensens Maskinfabrik A/S
Kroghusvej 7, Højmark
DK-6940 Lem St. • Denmark
Home page: www.ljm.dk





Technical specifications

NH54 For oil



General:

NH 54 is a double acting stainless acidproof hydraulic cylinder. Bore from $\varnothing 25$ - $\varnothing 160$ mm.

Construction:

(See sketch).

Cylinder tube:

Stainless acidproof steel tube.
Inner surface Ra max. $0.4 \mu\text{m}$.
With tolerance H 9.

Piston rod:

Centerless ground stainless acid-proof steel, wich is hard-chrome plated min. $20 \mu\text{m}$.
Hardness: min. 850 HV.
Ra. max. $0,3 \mu\text{m}$.
External tolerance h9.

Seals:

(See packing guidance)

Mountings:

A Fixed eyes at both ends.
S Spherical eyes at both ends.
G Thread.

Connections:

Cylindrical BSP thread, threaded length corresponding to standard fittings.

Operation pressure:

Operation pressure: Max. 210 bar.

Piston velocity:

Max. piston velocity: $0,3 \text{ m/s}$.

Operating temperature:

Temperature range:
 $\div 20^\circ \text{C}$ to $+ 100^\circ \text{C}$.

Pressure medium:

Hydraulic oil on mineral oil base.

Test:

The cylinders are tested to 310 bar.

Order code:

See specification form 12.



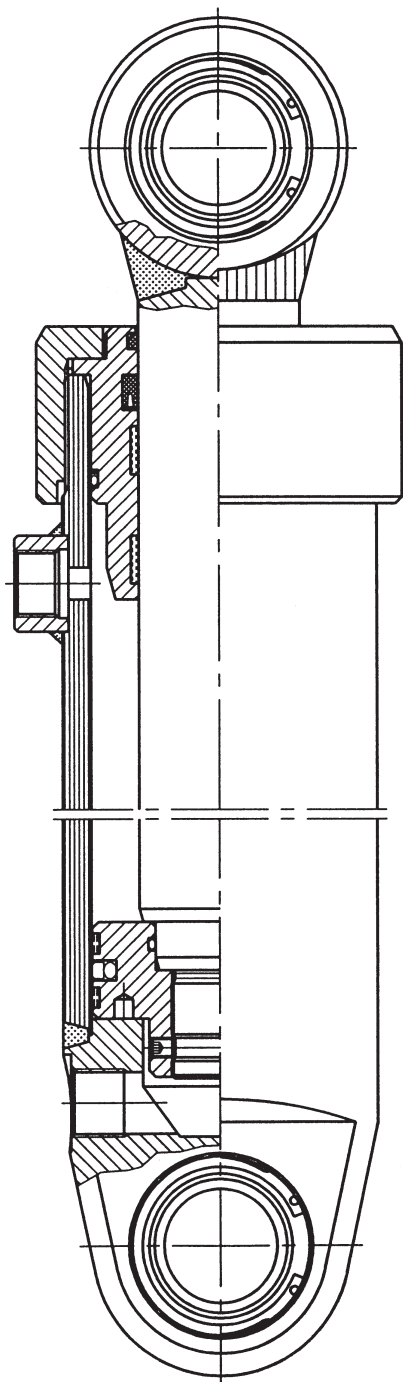
Lind Jensens Maskinfabrik A/S
Kroghusvej 7, Højmark
DK-6940 Lem St. • Denmark
Home page: www.ljm.dk





Technical specifications

NH55 For water



General:

NH 55 is a double acting stainless acidproof steel hydraulic cylinder.
Bore from $\varnothing 25$ - $\varnothing 160$ mm.

Construction:

(See sketch).

Cylinder tube:

Stainless acidproof steel tube.
Inner surface Ra max. $0.4 \mu\text{m}$.
With tolerance H9.

Piston rod:

Centerless ground stainless acidproof steel, wich is hard-chrome plated min. $20 \mu\text{m}$.
Hardness: min. 850 HV.
Ra. max. $0,3 \mu\text{m}$.
External tolerance h9.

Seals:

LJM standard seals for water.

Mountings:

A Fixed eyes at both ends.
S Spherical eyes at both ends.
G Thread.

Connections:

Cylindrical BSP thread, threaded length corresponding to standard fittings.

Operation pressure:

Operation pressure: Max. 70 bar.

Piston velocity:

Max. piston velocity: 0,2 m/s.

Operating temperature:

Temperature range:
 $+ 1^{\circ}\text{C}$ to $+ 50^{\circ}\text{C}$.

Pressure medium:

Water.

Test:

The cylinders are tested to 105 bar.

Order code:

See specification form 12.

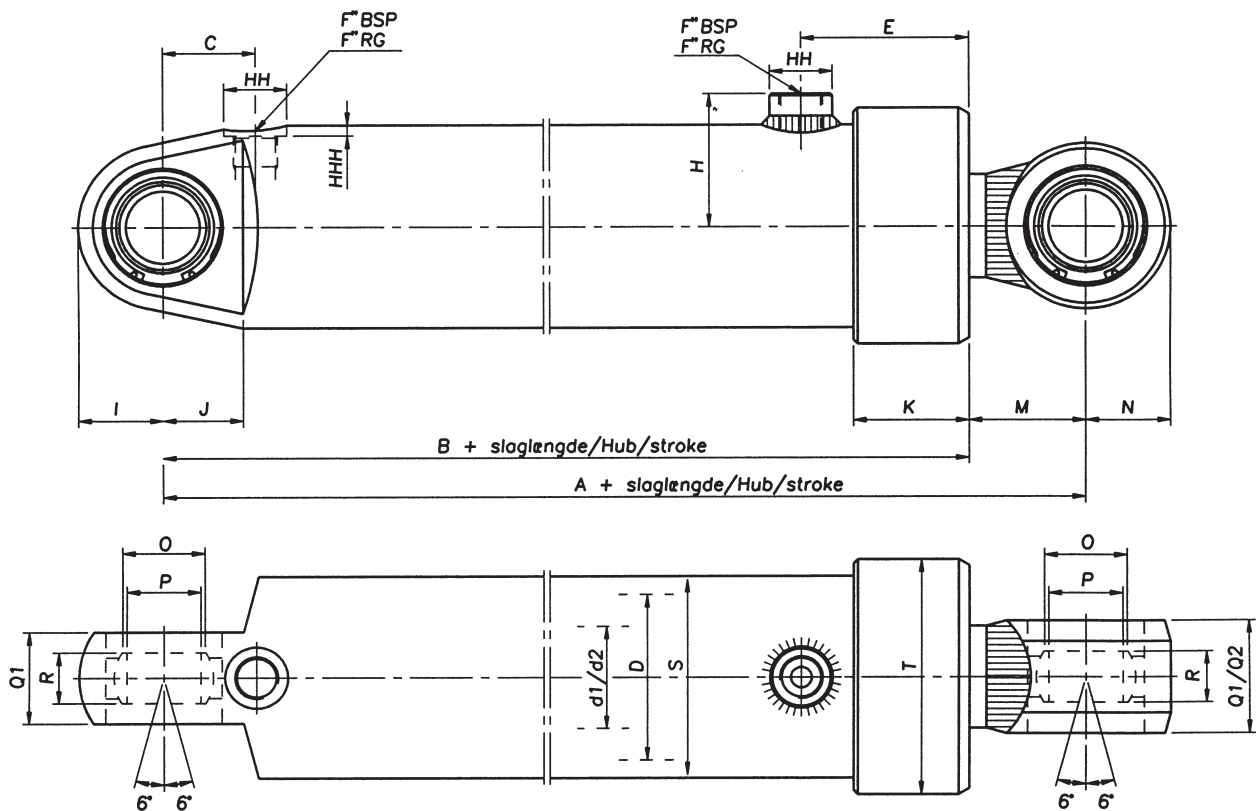


Lind Jensens Maskinfabrik A/S
Kroghusvej 7, Højmark
DK-6940 Lem St. • Denmark
Home page: www.ljm.dk

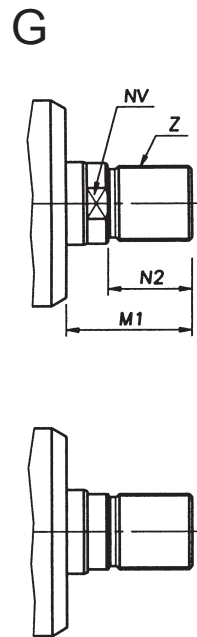
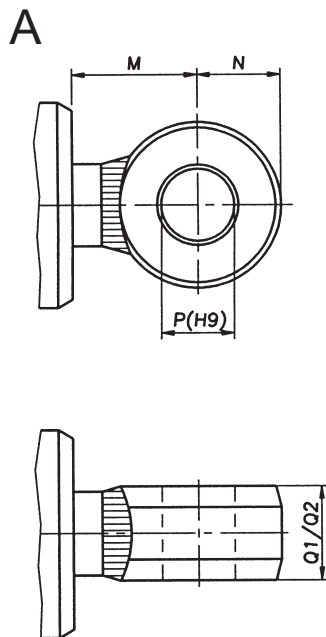




Målskitse / Maßblatt / Dimension sketch NH54/55-S



Stempelstangsophæng/Kolbenstangenbefestigung/Piston rod mounting



Lind Jensens Maskinfabrik A/S
Kroghusvej 7, Højmark
DK-6940 Lem St. • Denmark
Home page: www.ljm.dk





Målskema / Maßtabelle / Dimension table NH54/55-S

| Index \ D | 25 | 32 | 40 | 50 | 63 | 80 | 100 | 125 | 140 | 160 |
|-----------|----------|-------|-------|-------|-------|-------|-------|-------|-------|--------|
| | A | 170 | 170 | 185 | 205 | 225 | 240 | 280 | 320 | 400 |
| B | 137,5 | 135 | 140 | 165,5 | 180 | 185 | 205 | 235 | 300 | 335 |
| d1/d2 | 12/16 | 16/20 | 20/25 | 25/35 | 30/40 | 40/50 | 50/65 | 65/80 | 70/90 | 80/100 |
| C | 30 | 27 | 31 | 42,5 | 40 | 44 | 45 | 78 | 81 | 88 |
| E | 48 | 46,5 | 54,5 | 66,5 | 74 | 80 | 84,5 | 90 | 112 | 140 |
| F | 1/4" | 1/4" | 3/8" | 3/8" | 1/2" | 1/2" | 3/4" | 3/4" | 1" | 1" |
| H | 30 | 34 | 40 | 47 | 54 | 64 | 81 | 95 | 111 | 122 |
| HH | 20 | 20 | 25 | 25 | 30 | 30 | 40 | 40 | 50 | 50 |
| I | 17,5 | 20 | 25 | 30 | 35 | 40 | 52 | 65 | 77,5 | 85 |
| J | 15 | 20 | 25 | 25 | 30 | 38 | 48 | 55 | 75 | 80 |
| K | 33 | 33 | 37 | 47,5 | 45 | 55 | 60 | 63 | 75 | 92 |
| M | 32,5 | 35 | 45 | 39,5 | 45 | 55 | 75 | 85 | 100 | 115 |
| M1 | 35 | 35 | 45 | 39,5 | 45 | 55 | 75 | 85 | 100 | 115 |
| N | 17,5 | 20 | 25 | 30 | 35 | 40 | 50 | 65 | 80 | 85 |
| N2 | 24 | 24 | 25 | 30 | 35 | 40 | 50 | 65 | 75 | 85 |
| O | 15 | 18 | 24 | 29 | 34 | 39 | 50 | 66 | 77 | 77 |
| P | 12 | 15 | 20 | 25 | 30 | 35 | 45 | 60 | 70 | 70 |
| Q1/Q2 | 15/20 | 20/25 | 25/30 | 30/40 | 35/45 | 45/55 | 55/70 | 70/85 | 75/95 | 85/105 |
| R | 10 | 12 | 16 | 20 | 22 | 25 | 32 | 44 | 49 | 49 |
| S | 33 | 41 | 51 | 65 | 78 | 98 | 122 | 152 | 170 | 193 |
| T | 41 | 52 | 61 | 80 | 95 | 114 | 137 | 172 | 188 | 221 |
| Z | M12x1,25 | M14x2 | M16x2 | M22x2 | M24x2 | M36x2 | M42x2 | M52x2 | M56x2 | M70x2 |
| NV | 10/13 | 13/17 | 17/19 | 22/27 | 24/32 | 36/42 | 46/50 | 55/60 | 60/80 | 70/90 |
| HHH | 2,7 | 2,7 | 2,5 | 2,1 | 2,5 | 2,5 | 3 | 3 | 3,5 | 3,5 |

Alle angivne mål er i (mm). Ret til ændringer forbeholdes.

Alle Angegebenen Maße sind in (mm). Wir behalten uns das Recht auf Änderungen vor.

Unless otherwise specified, all dimensions are in (mm). Rights to alterations reserved.

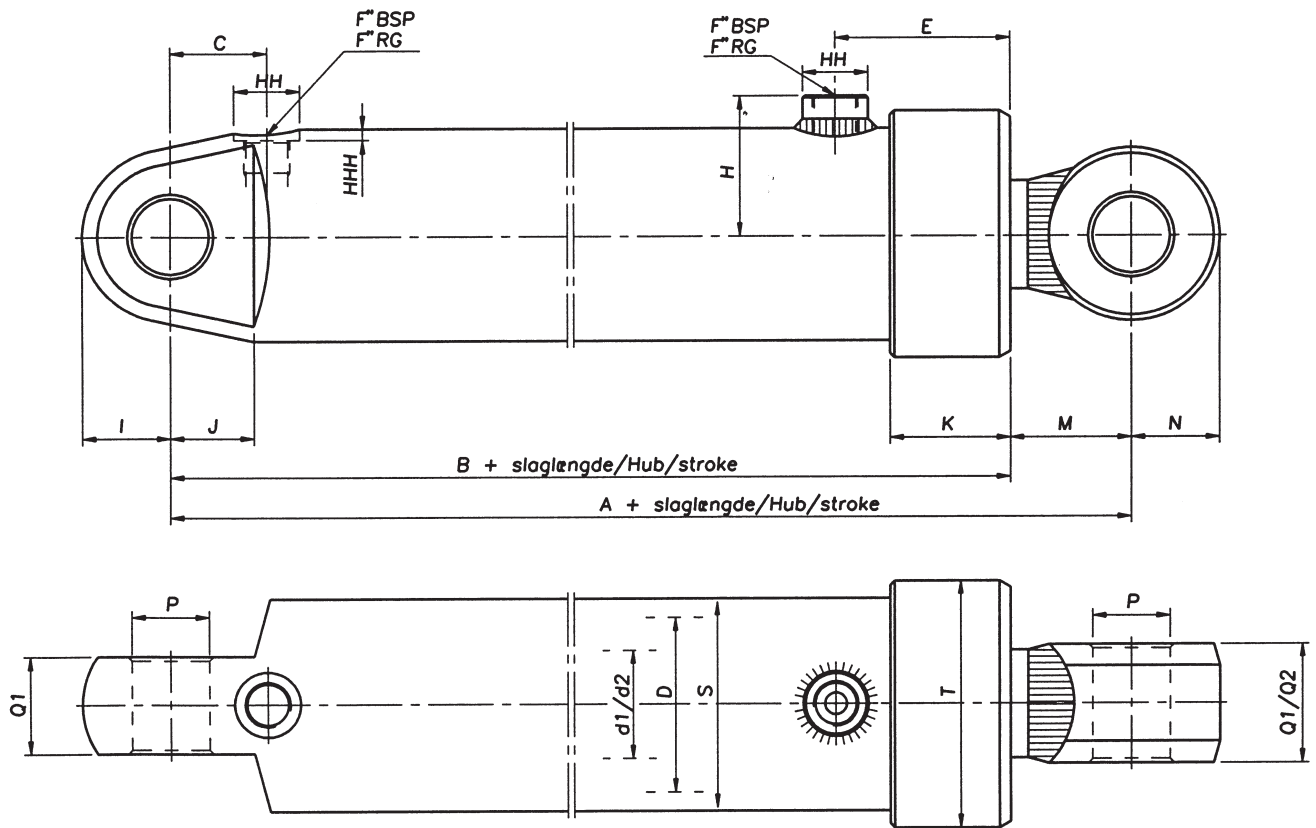


Lind Jensens Maskinfabrik A/S
Kroghusvej 7, Højmark
DK-6940 Lem St. • Denmark
Home page: www.ljm.dk

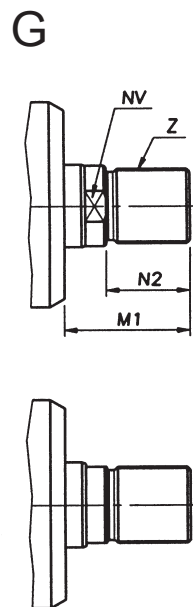
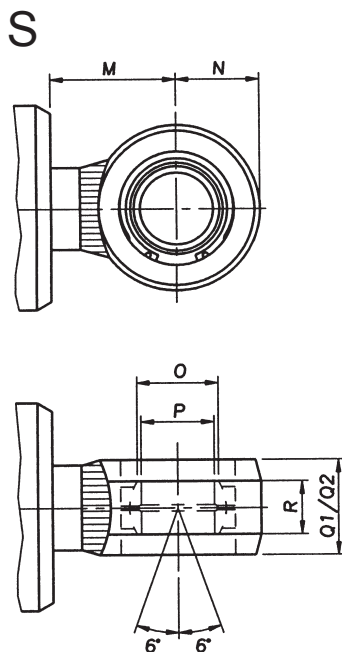




Målskitse / Maßblatt / Dimension sketch NH54/55-A



Stempelstangsophæng/Kolbenstangenbefestigung/Piston rod mounting



Lind Jensens Maskinfabrik A/S
Kroghusvej 7, Højmark
DK-6940 Lem St. • Denmark
Home page: www.ljm.dk





Målskema / Maßtabelle / Dimension table NH54/55-A

| D Index | 25 | 32 | 40 | 50 | 63 | 80 | 100 | 125 | 140 | 160 |
|------------|----------|-------|-------|-------|-------|-------|-------|-------|-------|--------|
| A | 170 | 170 | 185 | 205 | 225 | 240 | 280 | 320 | 400 | 450 |
| B | 137,5 | 135 | 140 | 165,5 | 180 | 185 | 205 | 235 | 300 | 335 |
| d1/d2 | 12/16 | 16/20 | 20/25 | 25/35 | 30/40 | 40/50 | 50/65 | 65/80 | 70/90 | 80/100 |
| C | 30 | 27 | 31 | 42,5 | 40 | 44 | 45 | 78 | 81 | 88 |
| E | 48 | 46,5 | 54,5 | 66,5 | 74 | 80 | 84,5 | 90 | 112 | 140 |
| F | 1/4" | 1/4" | 3/8" | 3/8" | 1/2" | 1/2" | 3/4" | 3/4" | 1" | 1" |
| H | 30 | 34 | 40 | 47 | 54 | 64 | 81 | 95 | 111 | 122 |
| HH | 20 | 20 | 25 | 25 | 30 | 30 | 40 | 40 | 50 | 50 |
| I | 17,5 | 20 | 25 | 30 | 35 | 40 | 52 | 65 | 77,5 | 85 |
| J | 15 | 20 | 25 | 25 | 30 | 38 | 48 | 55 | 75 | 80 |
| K | 33 | 33 | 37 | 47,5 | 45 | 55 | 60 | 63 | 75 | 92 |
| M | 32,5 | 35 | 45 | 39,5 | 45 | 55 | 75 | 85 | 100 | 115 |
| M1 | 35 | 35 | 45 | 39,5 | 45 | 55 | 75 | 85 | 100 | 115 |
| N | 17,5 | 20 | 25 | 30 | 35 | 40 | 50 | 65 | 80 | 85 |
| N2 | 24 | 24 | 25 | 30 | 35 | 40 | 50 | 65 | 75 | 85 |
| O | 15 | 18 | 24 | 29 | 34 | 39 | 50 | 66 | 77 | 77 |
| P | 12 | 15 | 20 | 25 | 30 | 35 | 45 | 60 | 70 | 70 |
| Q1/Q2 | 15/20 | 20/25 | 25/30 | 30/40 | 35/45 | 45/55 | 55/70 | 70/85 | 75/95 | 85/105 |
| R | 10 | 12 | 16 | 20 | 22 | 25 | 32 | 44 | 49 | 49 |
| S | 33 | 41 | 51 | 65 | 78 | 98 | 122 | 152 | 170 | 193 |
| T | 41 | 52 | 61 | 80 | 95 | 114 | 137 | 172 | 188 | 221 |
| Z | M12x1,25 | M14x2 | M16x2 | M22x2 | M24x2 | M36x2 | M42x2 | M52x2 | M56x2 | M70x2 |
| NV | 10/13 | 13/17 | 17/19 | 22/27 | 24/32 | 36/42 | 46/50 | 55/60 | 60/80 | 70/90 |
| HHH | 2,7 | 2,7 | 2,5 | 2,1 | 2,5 | 2,5 | 3 | 3 | 3,5 | 3,5 |

Alle angivne mål er i (mm). Ret til ændringer forbeholdes.

Alle Angegebenen Maße sind in (mm). Wir behalten uns das Recht auf Änderungen vor.

Unless otherwise specified, all dimensions are in (mm). Rights to alterations reserved.



Lind Jensens Maskinfabrik A/S
Kroghusvej 7, Højmark
DK-6940 Lem St. • Denmark
Home page: www.ljm.dk





Specifikation form 12

Order code NH 54/55

Stainless steel hydraulik cylinder

NH 54 Öl
 NH 55 Water **-X-X-D/d x L-X-X**

Model: _____

Basic types: _____

Blank: No mounting

S: Spherical bearing

C. Bottom flange

F: Front flange

V: Trunnion mounting

Function: _____

D: Double acting

E₁: Single acting, compressive

E₂: Single acting, tractive

Bore: _____

Piston rod diameter: _____

Stroke: _____

Digit: Length of spacer bush

Digit: in () = piston rod extension

Piston rod mounting:

A: fixed bearing

S: spherical bearing



Lind Jensens Maskinfabrik A/S
 Kroghusvej 7, Højmark
 DK-6940 Lem St. • Denmark
 Home page: www.ljm.dk



Innovative solutions tailored to your requirements:

- Hydraulics, power units and valves
- Pressure test units, high pressure hydraulics
- Production aids, machines

A wide range of excellent products:

- Proportional valves, emergency shut off valves, as well for hazardous areas
- Test couplings, check valves, pressure gauges
- Miniature-air/oil-coolers

Hydraulic components from well-known manufacturers,

- chosen by our high demands
- on quality and delivery reliability!

Repairs and maintenance

- on hydraulic parts and systems
- carried out by our specialists.

Your partner for
hydraulics and engineering
