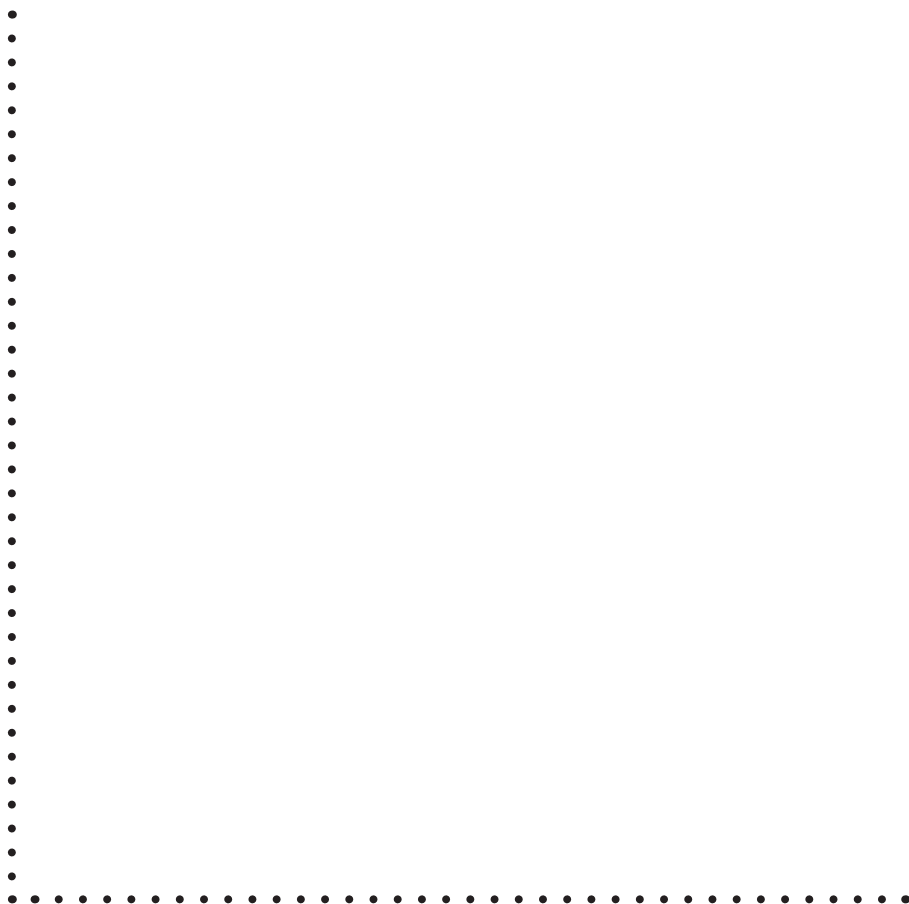


INDUSTRY



NH41
NH42



Lind Jensens Maskinfabrik A/S
Kroghusvej 7, Højmark
DK-6940 Lem St. • Denmark
Home page: www.ljm.dk



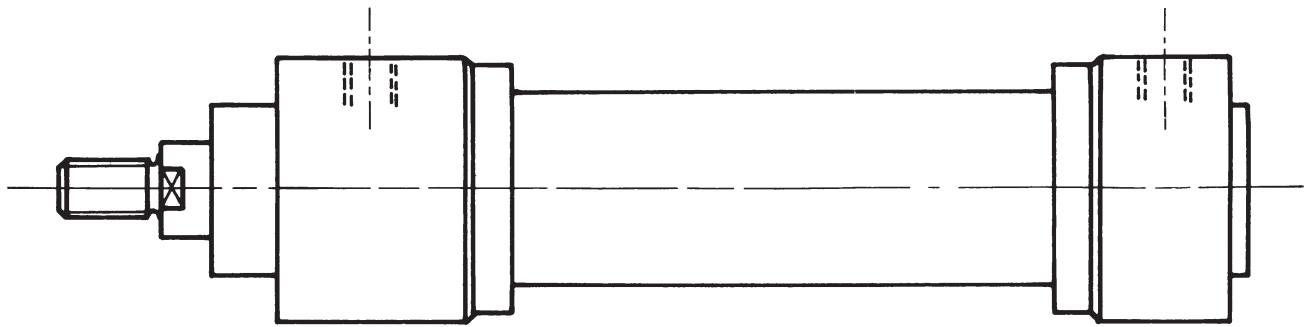


Oversigtsblad / Übersicht / Design features

for NH 42 cylinder

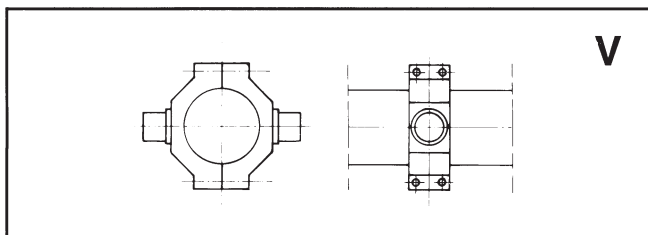
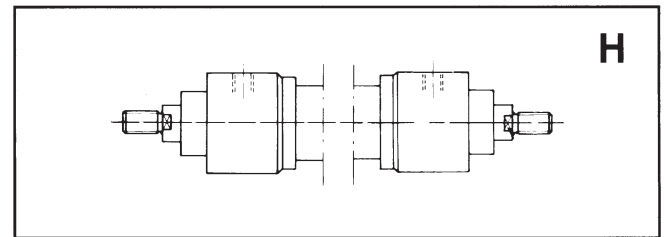
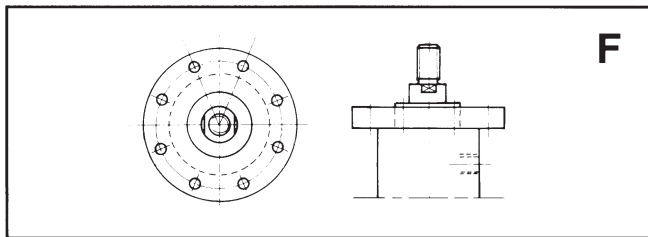
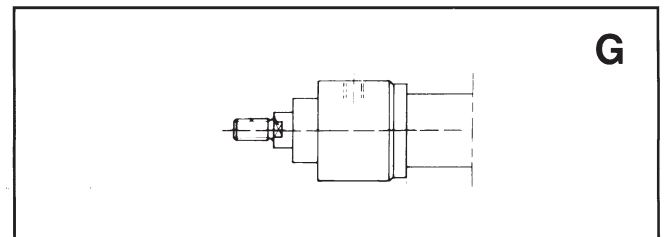
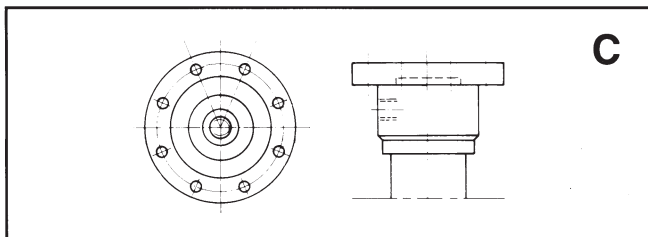
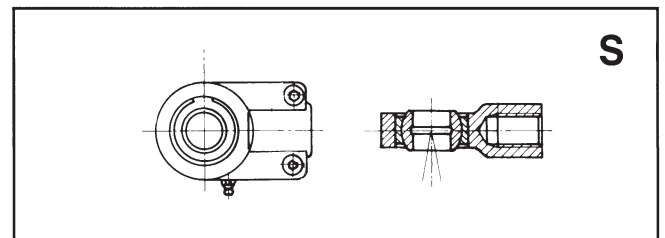
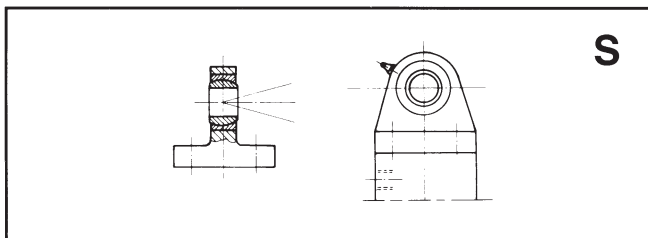
für NH 42 Zylinder

for NH 42 cylinder



* Grundtyper/
Zylinderbefestigung/
Basic types

Stempelstangsophæng/
Kolbenstangenbefestigung/
Piston rod mounting



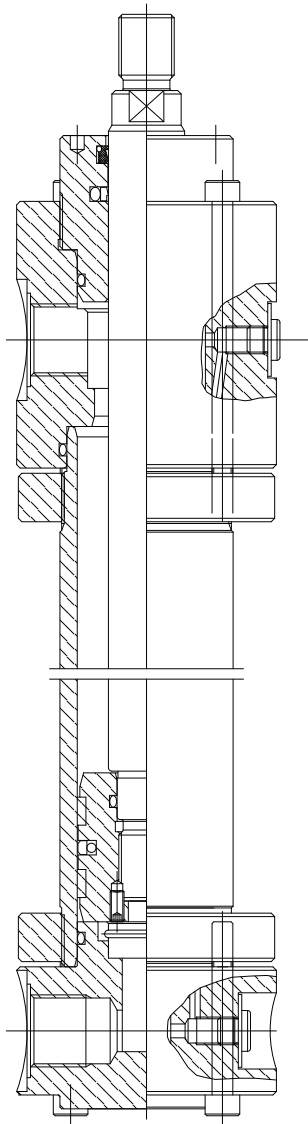
Lind Jensens Maskinfabrik A/S
Kroghusvej 7, Højmark
DK-6940 Lem St. • Denmark
Home page: www.ljm.dk





Technical specifications

NH42



General:

NH 42 is a double acting hydraulic cylinder.
Application: Primarily industrial hydraulics, and similar heavy-duty operation.
Bore from $\varnothing 50$ - $\varnothing 200$ mm.

Construction:

(See sketch).

Cylinder tube:

Steel tube (SIS 2172).
Honed to Ra max. $0,3 \mu\text{m}$.
Internal tolerance H9.

Piston rod:

Centerless ground steel, (SIS 2142), which is hard-chrome plated min. $20 \mu\text{m}$. Hardness: min. 850 HV.
Ra max. $0,3 \mu\text{m}$.
External tolerance h9. Alternative Nickel/chrome. Also available in chrome plated acid proof material. Alternative materials can also be supplied.

Seals:

(See packing instructions)

Mountings:

The following mountings can be screwed onto the NH 42 basic cylinder:

Cylinder:

- F Front flange
- C Bottom flange
- S Spherical eye
- V Trunnion mounting

Rod:

- S Spherical eye
- G Tread

The above can be used in any combination. All external dimensions are in accordance with ISO 6022. The cylinder can be supplied with adjustable cushioning in both ends.

Connections:

Cylindrical BSP thread,
threaded length corresponding to standard fittings.

Operation pressure:

Operation Pressure: max. 250 bar.

Piston velocity:

Max. piston velocity: $0,5 \text{ m/s}$.
For higher velocities use special seals.

Operating temperature:

Temperature range: $- 20^\circ \text{C}$
to $+ 70^\circ \text{C}$.
For higher/lower temperatures use special seals.

Pressure medium:

Hydraulic oil on a mineral oil base. If another medium is to be used, please state when ordering.

Test:

The cylinders are pressure tested at 350 bar and tested for proper function before leaving the factory.

Order code:

See specification form 5.

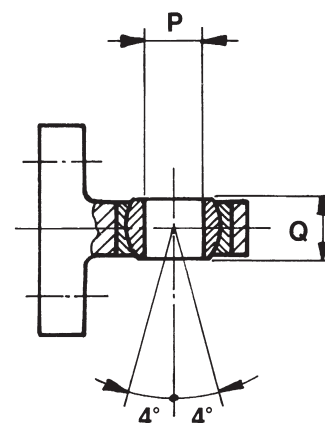
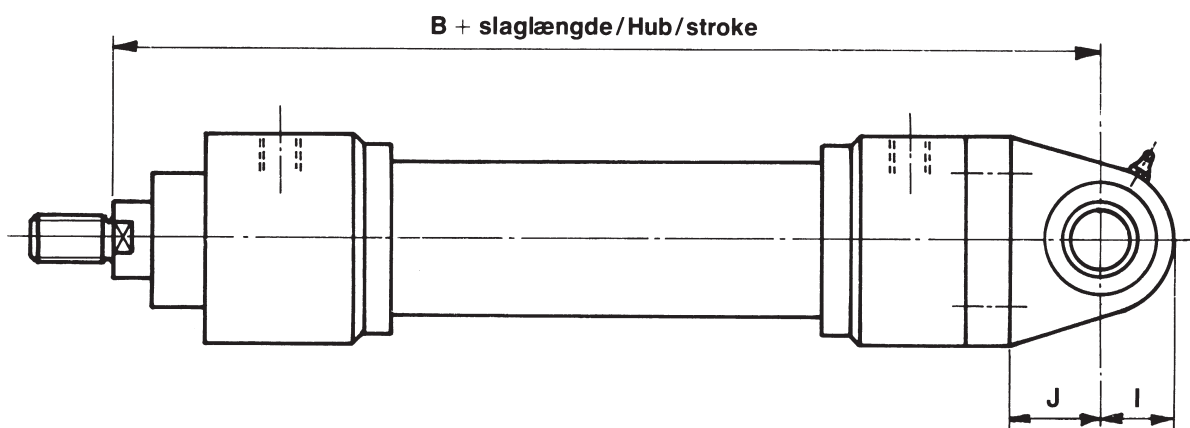
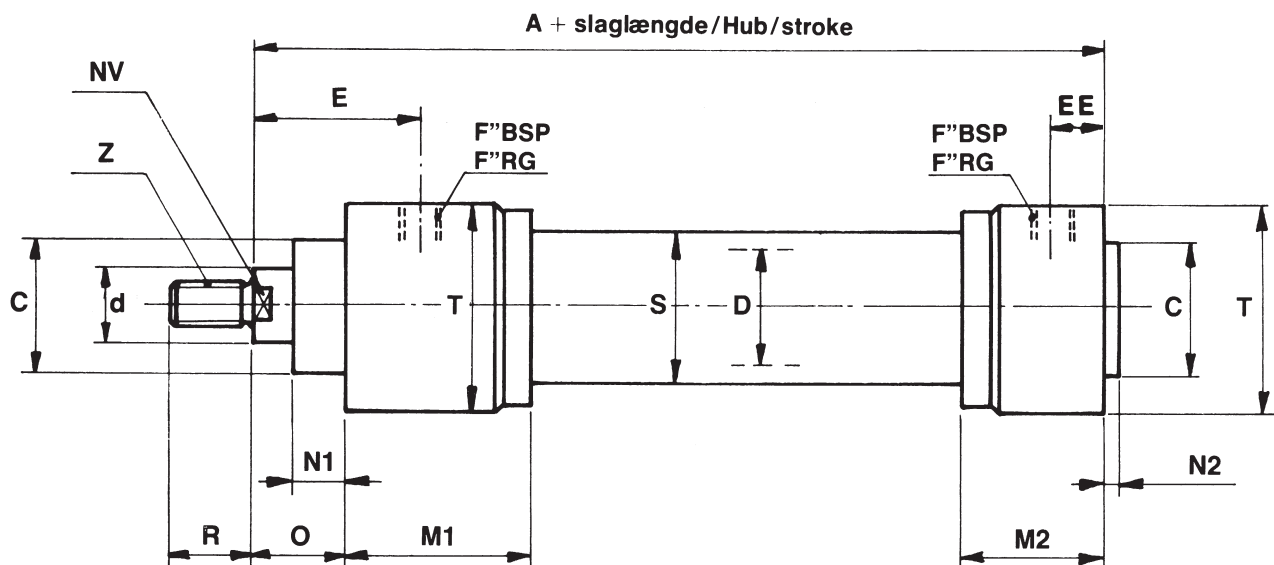


Lind Jensens Maskinfabrik A/S
Kroghusvej 7, Højmark
DK-6940 Lem St. • Denmark
Home page: www.ljm.dk





Målskitse / Maßblatt / Dimension sketch NH42-S



Lind Jønsens Maskinfabrik A/S
Kroghusvej 7, Højmark
DK-6940 Lem St. • Denmark
Home page: www.ljm.dk



Hydraulik



Målskema / Maßtabelle / Dimension table NH42-S

Index \ D	50	63	80	100	125	160	200
A	240	270	300	335	390	460	540
B	305	348	395	442	520	617	756
d	36	45	56	70	90	110	140
C (f8)	63	75	90	110	132	160	200
E	100	105	115	140	160	195	245
F	1/2"	3/4"	3/4"	1"	1"	1 1/4"	1 1/4"
I	40	50	63	71	90	112	160
J	40	50	63	71	90	112	160
M1	115	126	146	165	187	227	285
M2	65	86	86	95	117	137	145
N1	29	31	36	41	45	50	61
N2	4	4	5	5	6	7	8
NV	28	36	46	60	75	95	120
O	47	53	60	68	76	85	101
P	32	40	50	63	80	100	125
Q	32	40	50	63	80	100	125
R	36	45	56	63	85	95	112
S	65	83	100	125	159	203	254
T	98	118	145	175	214	270	325
Z	M27x2	M33x2	M42x2	M48x2	M64x3	M80x3	M100x3
EE	22	27	27	30	30	36	36

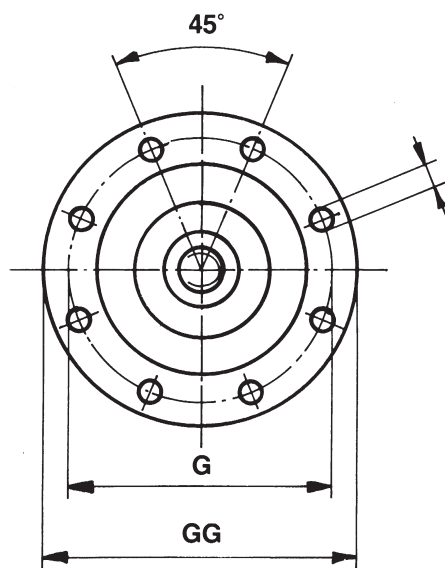
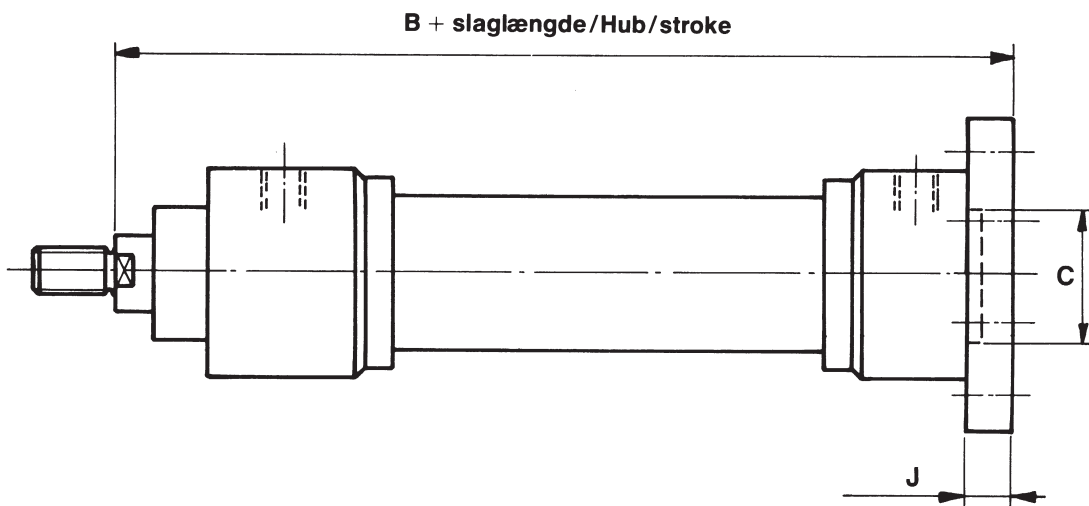
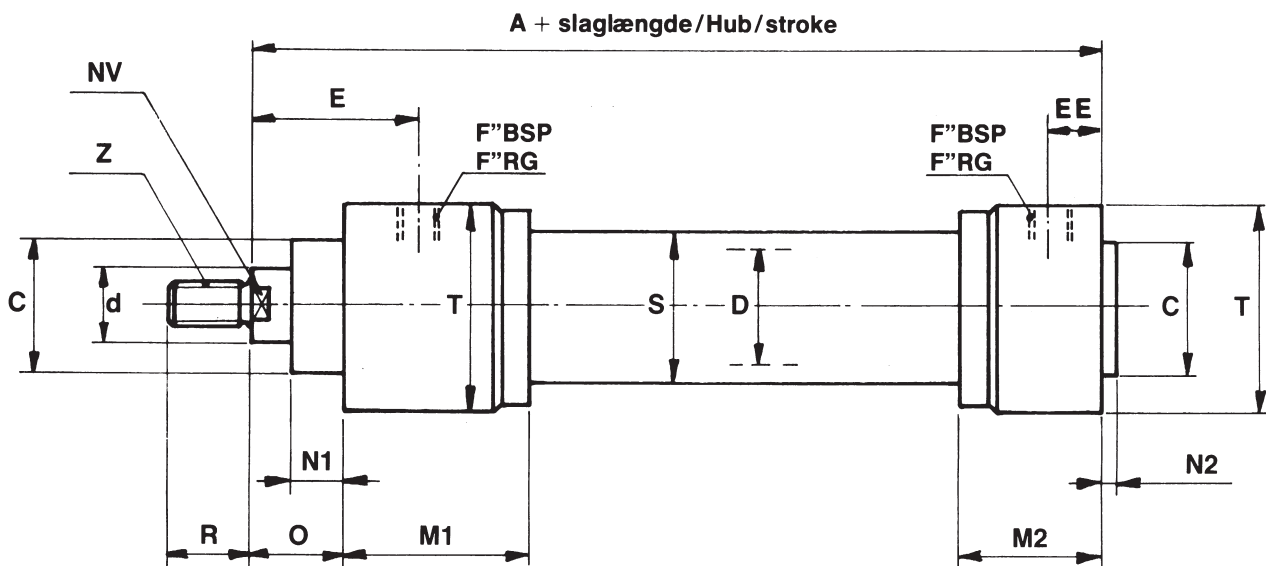


Lind Jensens Maskinfabrik A/S
Kroghusvej 7, Højmark
DK-6940 Lem St. • Denmark
Home page: www.ljm.dk





Målskitse / Maßblatt / Dimension sketch NH42-C



Lind Jensens Maskinfabrik A/S
Kroghusvej 7, Højmark
DK-6940 Lem St. • Denmark
Home page: www.ljm.dk



Hydraulik



Målskema / Maßtabelle / Dimension table NH42-C

D Index	50	63	80	100	125	160	200
A	240	270	300	335	390	460	540
B	265	298	332	371	430	505	596
d	36	45	56	70	90	110	140
C (H9)/f8	63	75	90	110	132	160	200
E	100	105	115	140	160	195	245
F	1/2"	3/4"	3/4"	1"	1"	1 1/4"	1 1/4"
G	132	150	180	212	250	315	385
GG	165	180	220	260	295	370	460
I	14	14	18	22	22	26	33
J	25	28	32	36	40	45	56
M1	115	126	146	165	187	227	285
M2	65	86	86	95	117	137	145
N1	29	31	36	41	45	50	61
N2	4	4	5	5	6	7	8
NV	28	36	46	60	75	95	120
O	47	53	60	68	76	85	101
R	36	45	56	63	85	95	112
S	65	83	100	125	159	203	254
T	98	118	145	175	214	270	325
Z	M27x2	M33x2	M42x2	M48x2	M64x3	M80x3	M100x3
EE	22	27	27	30	30	36	36

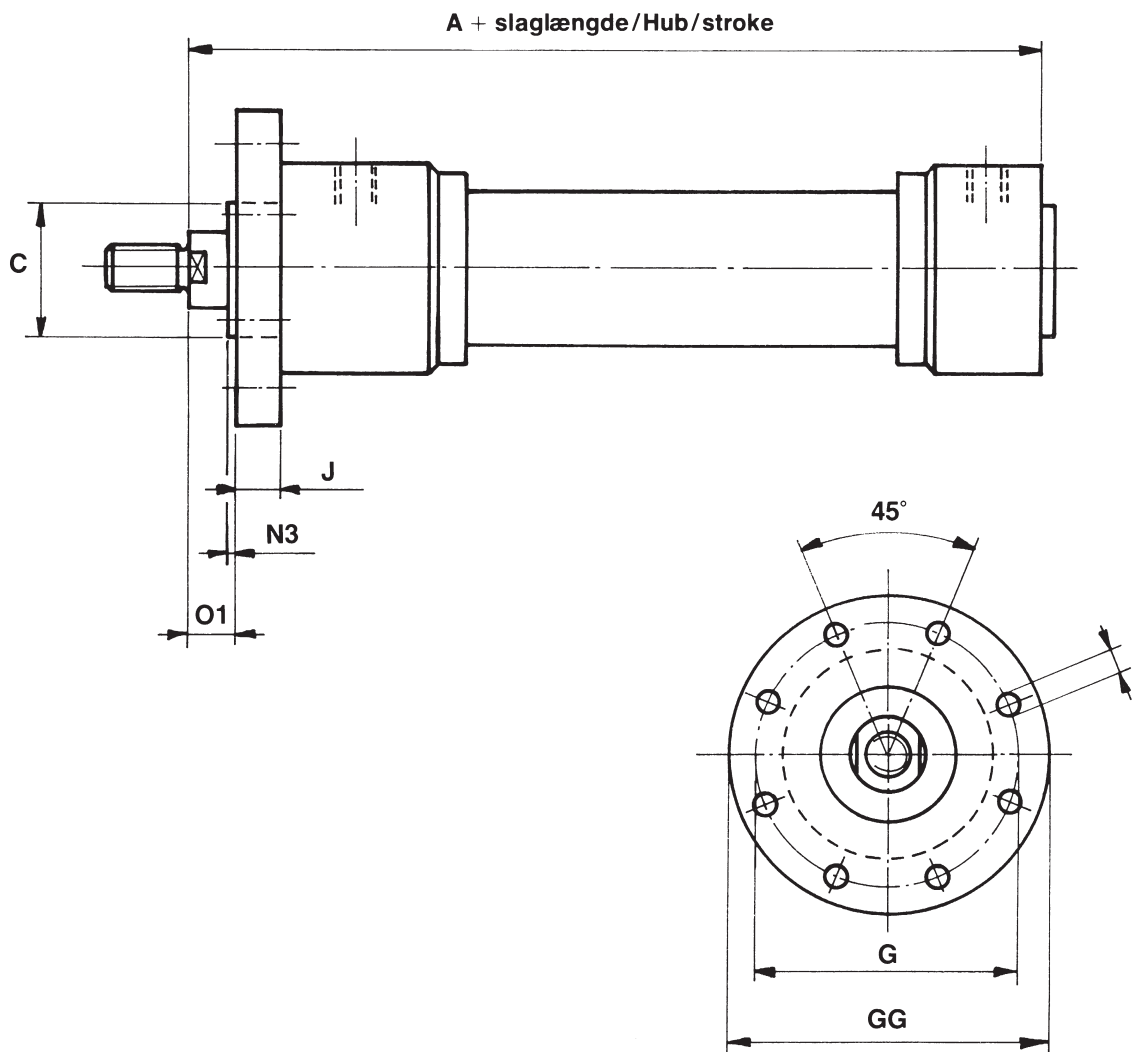
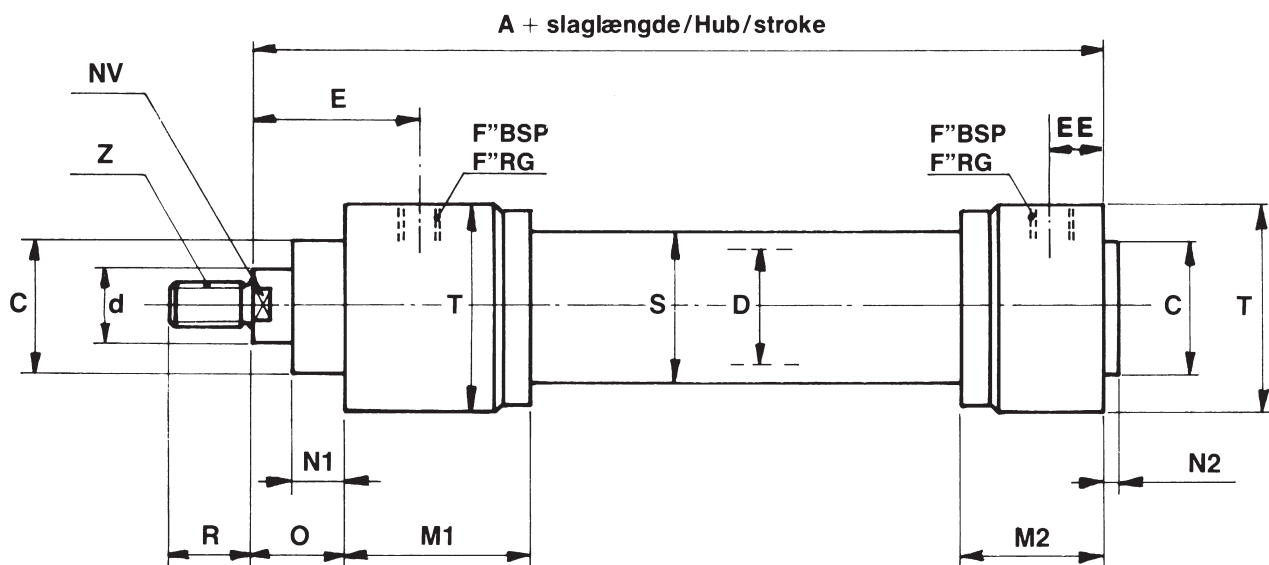


Lind Jensens Maskinfabrik A/S
Kroghusvej 7, Højmark
DK-6940 Lem St. • Denmark
Home page: www.ljm.dk





Målskitse / Maßblatt / Dimension sketch NH42-F



Lind Jensens Maskinfabrik A/S
Kroghusvej 7, Højmark
DK-6940 Lem St. • Denmark
Home page: www.ljm.dk



Hydraulik



Målskema / Maßtabelle / Dimension table NH42-F

Index \ D	50	63	80	100	125	160	200
A	240	270	300	335	390	460	540
d	36	45	56	70	90	110	140
C (f 8)/H9	63	75	90	110	132	160	200
E	100	105	115	140	160	195	245
F	1/2"	3/4"	3/4"	1"	1"	1 1/4"	1 1/4"
G	132	150	180	212	250	315	385
GG	165	180	220	260	295	370	460
I	14	14	18	22	22	26	33
J	25	28	32	36	40	45	56
M1	115	126	146	165	187	227	285
M2	65	86	86	95	117	137	145
N1	29	31	36	41	45	50	61
N2	4	4	5	5	6	7	8
N3	4	3	4	5	5	5	5
NV	28	36	46	60	75	95	120
O	47	53	60	68	76	85	101
O1	22	25	28	32	36	40	45
R	36	45	56	63	85	95	112
S	65	83	100	125	159	203	254
T	98	118	145	175	214	270	325
Z	M27x2	M33x2	M42x2	M48x2	M64x3	M80x3	M100x3
EE	22	27	27	30	30	36	36

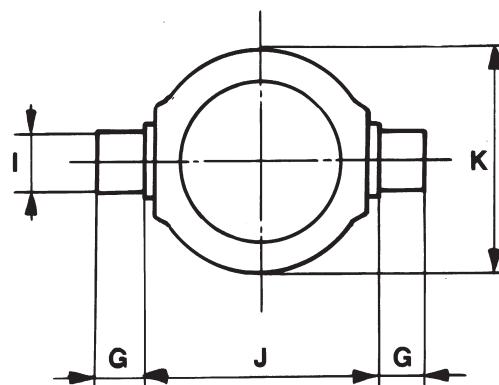
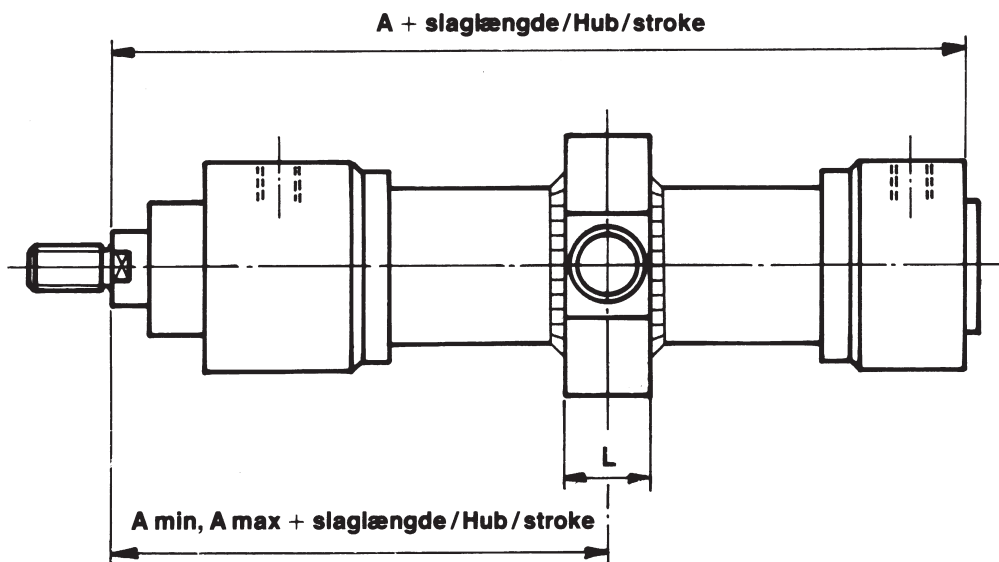
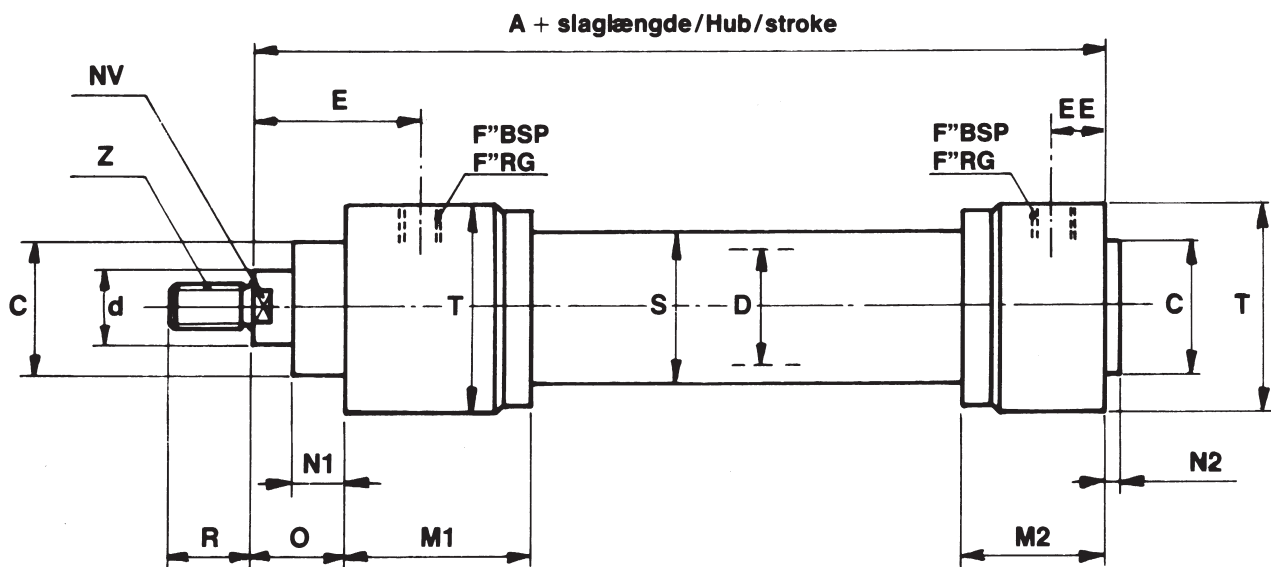


Lind Jensens Maskinfabrik A/S
Kroghusvej 7, Højmark
DK-6940 Lem St. • Denmark
Home page: www.ljm.dk





Målskitse / Maßblatt / Dimension sketch NH42-V



Lind Jensens Maskinfabrik A/S
Kroghusvej 7, Højmark
DK-6940 Lem St. • Denmark
Home page: www.ljm.dk



Hydraulik



Målskema / Maßtabelle / Dimension table NH42-V

D Index	50	63	80	100	125	160	200
A	240	270	300	335	390	460	540
A min	191	214	248	282	326	385	470
A max	146	149	192	192	211	250	310
d	36	45	56	70	90	110	140
C (f8)	63	75	90	110	132	160	200
E	100	105	115	140	160	195	245
F	1/2"	3/4"	3/4"	1"	1"	1 1/4"	1 1/4"
G	25	32	40	50	63	80	100
I (f8)	32	40	50	63	80	100	125
J (h12)	112	125	150	180	224	280	335
K	104	123	150	180	219	275	333
L	50	60	70	85	110	130	150
M1	115	126	146	165	187	227	285
M2	65	86	86	95	117	137	145
N1	29	31	36	41	45	50	61
N2	4	4	5	5	6	7	8
NV	28	36	46	60	75	95	120
O	47	53	60	68	76	85	101
R	36	45	56	63	85	95	112
S	65	83	100	125	159	203	254
T	98	118	145	175	214	270	325
Z	M27x2	M33x2	M42x2	M48x2	M64x3	M80x3	M100x3
*) Min. slag- længde	45	65	75	90	115	135	160
EE	22	27	27	30	30	36	36

*) Ønskes mindre slaglængde monteres distancebøsning.

Wird ein geringerer Hub gewünscht werden Abstandhülsen montiert.

If a shorter stroke is required, a spacing bush should be fitted.



Lind Jensens Maskinfabrik A/S
Kroghusvej 7, Højmark
DK-6940 Lem St. • Denmark
Home page: www.ljm.dk





Specification form 5

Order code NH41/42

NH 41 160 bar
 NH 42 250 bar -X-X-D/d x L-X-X-X-X-X-X-()-X

Model:

Basic types:

- Blank: No mounting
- S: Spherical bearing
- C: Bottom flange
- F: Front flange
- V: Trunnion mounting

Funktion:

- D: Double acting
- E₁: Single acting, compressive
- E₂: Single acting, tractive

Bore:

Piston rod diameter:

**Stroke:

Position of trunnion mounting:

Digit: distance from tipping trunnion to mounting on piston rod

Digit: Length of spacer bush

Digit: in () = piston rod extension

H: Through going rod

*Specialpakninger:

- TN: Teflon
- TV: Teflon-viton

"B": Damping in bottom

"T": Damping in top

Piston rod materials:

- Ni: Nickel / chrome
- RS: Rust/acid proof
- Blank: Steel
- (All hard-chrome plated)

Piston rod mounting

- S: Spherical bearing
- G: Thread

* Special seals to be used under extreme conditions, i.e. where pressure, velocities, temperature and pressure media fall outside the technical specifications. Ask the "Cylinder Consultant" for guidance.

** Min. stroke for NH 41/42, Ø 25, 32 and 40 is 25 mm, i.e. the installation for these models can never be less than those corresponding to a stroke of 25 mm. If a shorter stroke is required, a spacing bush should be fitted.



Lind Jensens Maskinfabrik A/S
 Kroghusvej 7, Højmark
 DK-6940 Lem St. • Denmark
 Home page: www.ljm.dk

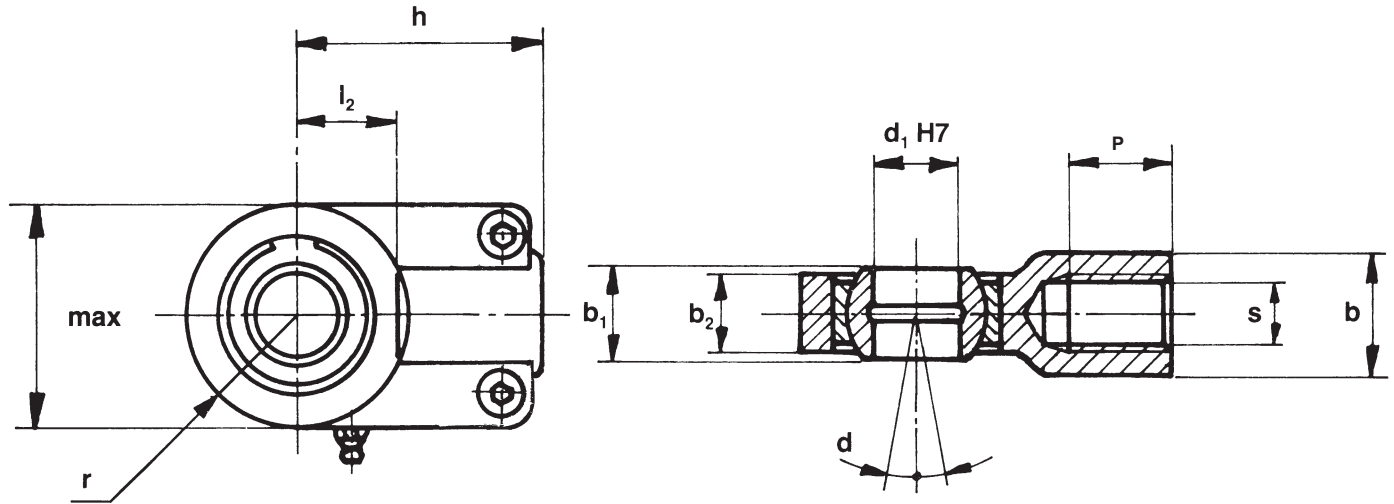




Ledlejhoved for cylindertype NH 41/42

Gelenklagerkopf für Zylindertyp NH 41/42

Spherical bearing head for cylinder model NH 41/42



Ledlejhoved passer til alle NH 41/42 cylindre med gevind på stempelstang (d_1 / d_2)

Gelenklagerkopf passend zu allen NH 41742 Zylindern mit Gewinde an der Kolbenstange (d_1 / d_2)

The spherical bearing head fits all NH 41/42 cylinders with threaded piston rod (d_1 / d_2)

d1 / d2	14	18	22	28	36	45	56	70	90	110	140
Index	14	18	22	28	36	45	56	70	90	110	140
l	17	19	23	29	37	46	57	64	86	96	135
b	16,5	21	25	30	38	47	58	70	90	110	113
max	32	40	50	62	76	97	118	142	180	224	290
h	38	44	52	65	80	97	120	140	180	210	260
p H7	12	16	20	25	32	40	50	63	80	100	125
b ₂	10,6	13	17	21	27	32	40	52	66	84	102
b ₁	12	16	20	25	32	40	50	63	80	100	125
r	16	20	25	32	40	50	63	71	90	112	160
l ₂	14	18	22	27	32	41	50	62	78	98	120
α	4	4	4	4	4	4	4	4	4	4	4
Type s	M12x1,25	M14x1,5	M16x1,5	M20x1,5	M27x2	M33x2	M42x2	M48x2	M64x3	M80x3	M100x3
Kg	0,10	0,20	0,40	0,66	1,2	2,1	4,4	7,6	14,5	28,0	43,0

Materiale: Sejrn
Material: Stahlguss
Material: Steel-cast iron

Glidetype: Stål/Stål
Gleittyp: Stahl/Stahl
Type of slide: Steel/Steel



Lind Jensens Maskinfabrik A/S
Kroghusvej 7, Højmark
DK-6940 Lem St. • Denmark
Home page: www.ljm.dk



Innovative solutions tailored to your requirements:

- Hydraulics, power units and valves
- Pressure test units, high pressure hydraulics
- Production aids, machines

A wide range of excellent products:

- Proportional valves, emergency shut off valves, as well for hazardous areas
- Test couplings, check valves, pressure gauges
- Miniature-air/oil-coolers

Hydraulic components from well-known manufacturers,

- chosen by our high demands
- on quality and delivery reliability!

Repairs and maintenance

- on hydraulic parts and systems
- carried out by our specialists.

Your partner for
hydraulics and engineering
