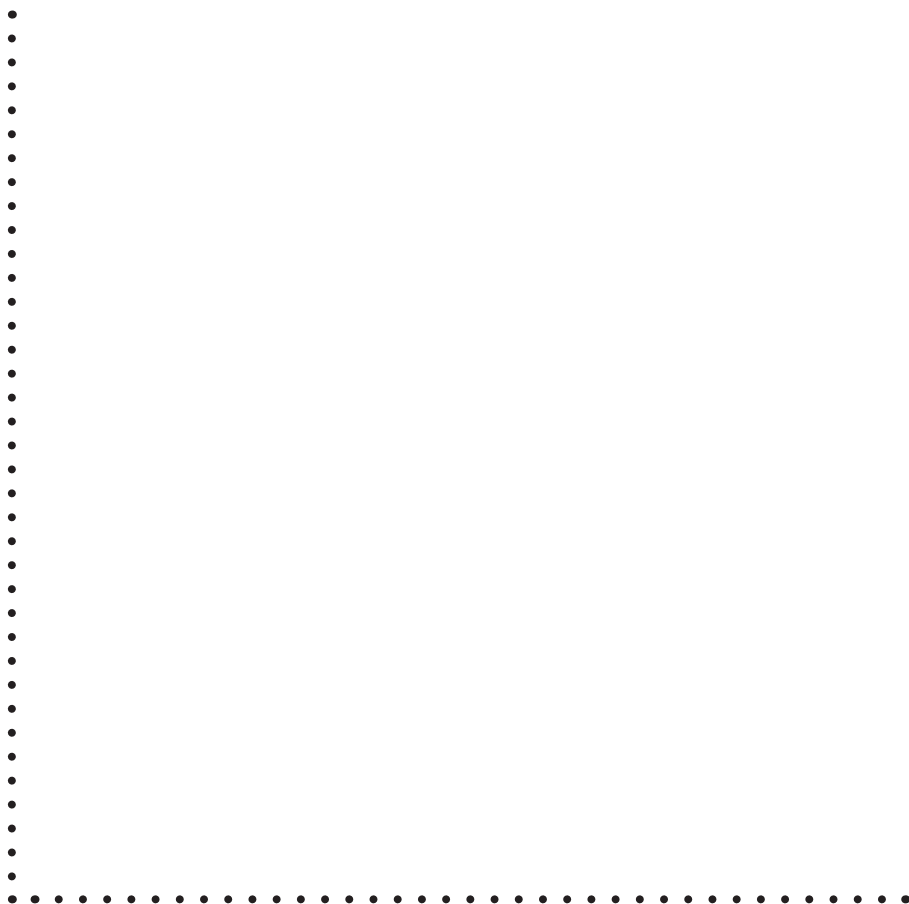


INDUSTRY



NH41
NH42



Lind Jensens Maskinfabrik A/S
Kroghusvej 7, Højmark
DK-6940 Lem St. • Denmark
Home page: www.ljm.dk



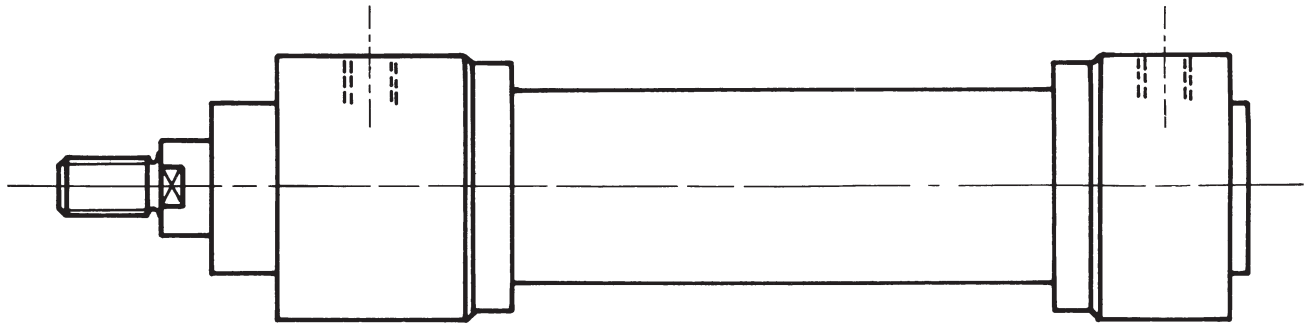


Oversigtsblad / Übersicht / Design features

for NH 41 cylinder

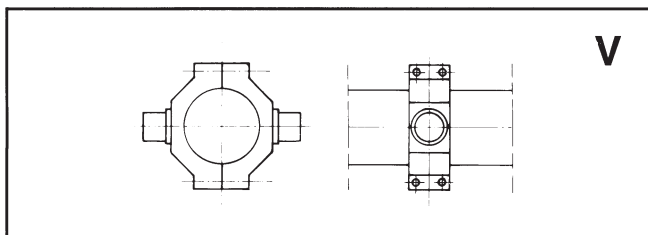
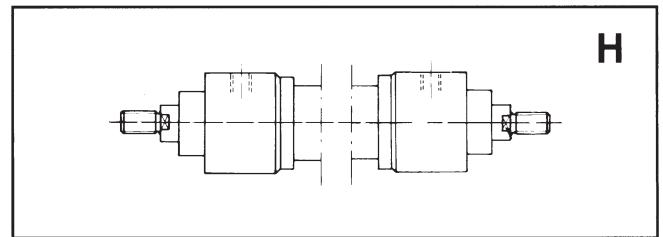
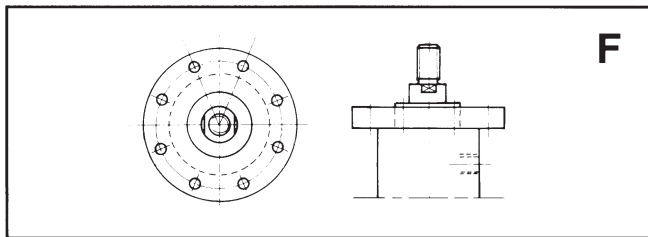
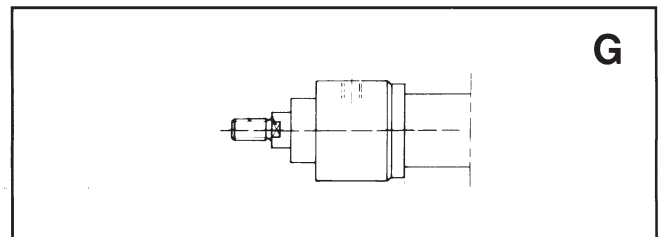
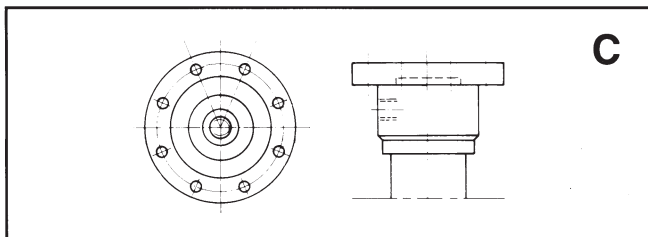
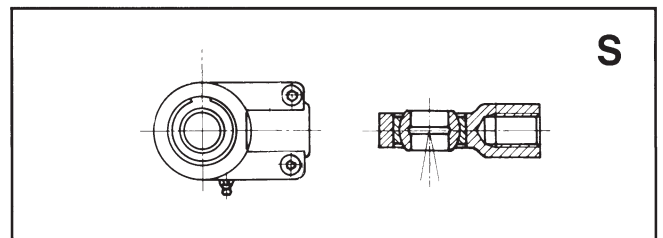
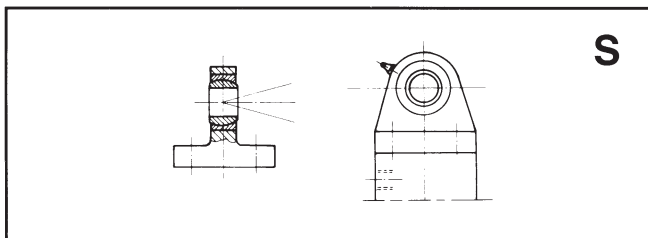
für NH 41 Zylinder

for NH 41 cylinder



* Grundtyper/
Zylinderbefestigung/
Basic types

Stempelstangsophæng/
Kolbenstangenbefestigung/
Piston rod mounting



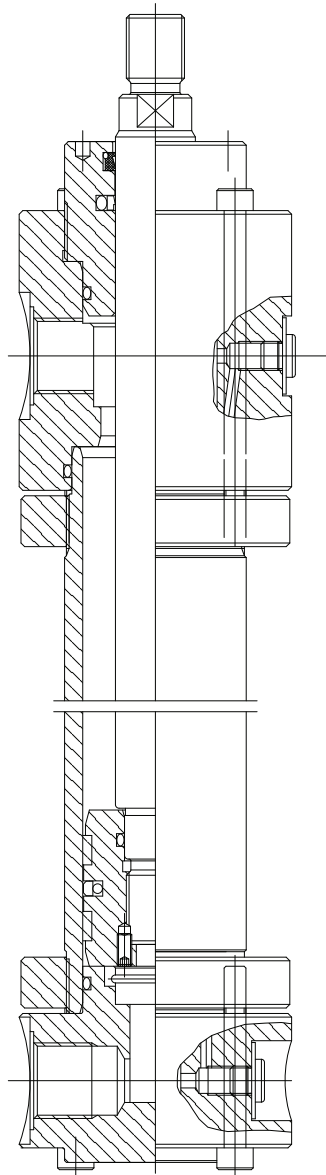
Lind Jensens Maskinfabrik A/S
Kroghusvej 7, Højmark
DK-6940 Lem St. • Denmark
Home page: www.ljm.dk





Technical specification

NH41



General:

NH 41 is a double acting hydraulic cylinder.
Application: Primarily industrial hydraulics, and similar heavy-duty operation.
Bore from $\varnothing 25$ - $\varnothing 200$ mm.

Construction:

(See sketch).

Cylinder tube:

Steel tube (SIS 2172).
Honed to Ra max. $0,3 \mu\text{m}$.
Internal tolerance H9.

Piston rod:

Centerless ground steel, (SIS 2142), which is hard-
chrome plated min. $20 \mu\text{m}$. Hardness: min. 850 HV.
Ra max. $0,3 \mu\text{m}$.
External tolerance h9. Alternative Nickel/chrome. Also available
in chrome plated acid proof material. Alternative materials can
also be supplied.

Seals:

(Standard) See seal guidance.

Mountings:

The following mountings can be screwed onto the NH
41 basic cylinder:

Cylinder:

- F Front flange
- C Bottom flange
- S Spherical eye
- V Trunnion mounting

Rod:

- S Spherical eye
- G Tread

The above can be used in any combination. All external
dimensions are in accordance with ISO 6020/1. The cylin-
der can be supplied with adjustable cushioning in both ends.
Exception to above are dia. $\varnothing 25 + 32$ mm.

Connections:

Cylindrical BSP thread,
threaded length corresponding to standard fittings.

Operation pressure:

Operation Pressure: max. 160 bar.

Piston velocity:

Max. piston velocity: 1 m/s.
For higher velocities use special seals.

Operating temperature:

Temperature range: $- 20^{\circ} \text{C}$
to $+ 70^{\circ} \text{C}$.
For higher/lower temperatures use special seals.

Pressure medium:

Hydraulic oil on a mineral oil base. If another medium is
to be used, please state when ordering.

Test:

The cylinders are pressure
tested at 250 bar and tested for proper function before leav-
ing the factory.

Order code:

See specification form 5.

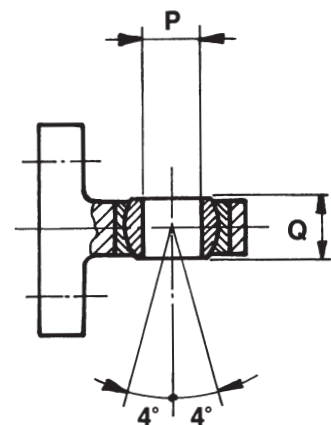
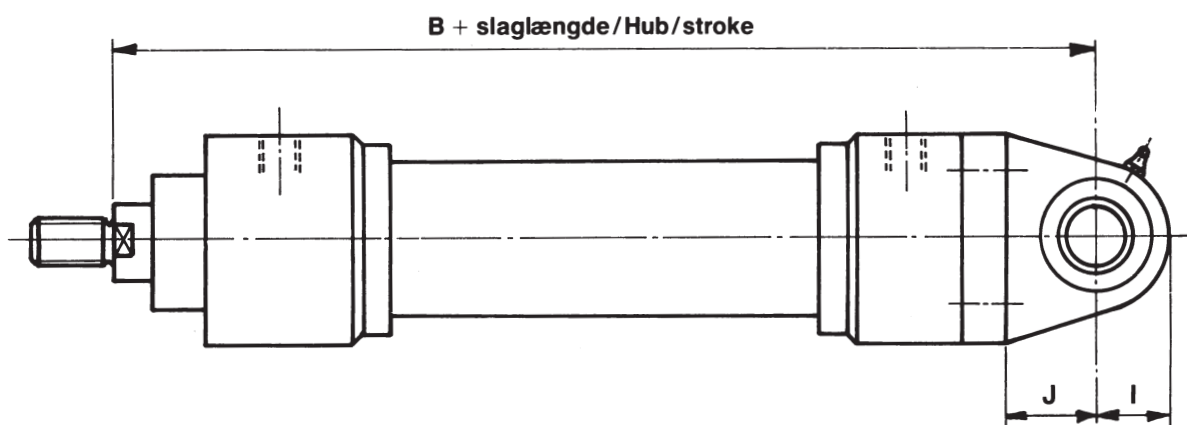
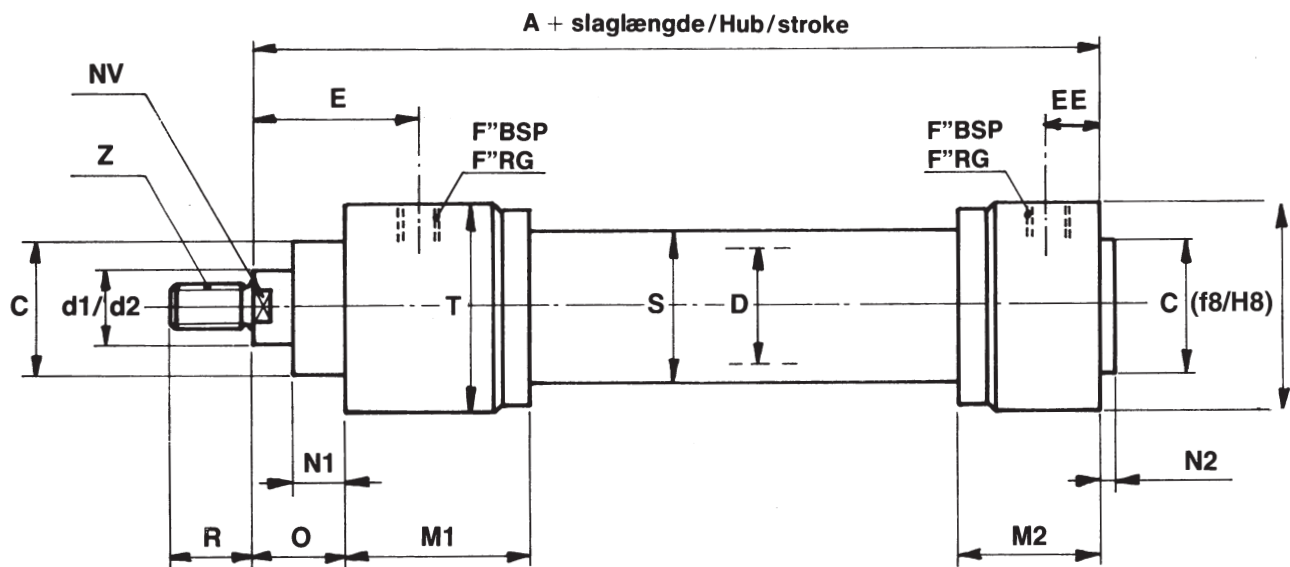


Lind Jensens Maskinfabrik A/S
Kroghusvej 7, Højmark
DK-6940 Lem St. • Denmark
Home page: www.ljm.dk





Målskitse / Maßblatt / Dimension sketch NH41-S



Lind Jensens Maskinfabrik A/S
Kroghusvej 7, Højmark
DK-6940 Lem St. • Denmark
Home page: www.ljm.dk



Hydraulik



Målskema / Maßtabelle / Dimension table

NH41-S

Index \ D	25	32	40	50	63	80	100	125	160	200
	A	150	170	190	205	224	250	300	325	370
B	178	206	231	257	289	332	395	428	505	615
d1 d2	14 18	18 22	22 28	28 36	36 45	45 56	56 70	70 90	90 110	110 140
C (f8/H8)	32	40	50	60	70	85	106	132	160	200
E	64	68	72	76	90	110	128	145	154	205
EE	13	15,5	18,5	19	21	21	29	27	35	43
F	1/4"	3/8"	1/2"	1/2"	3/4"	3/4"	1"	1"	1 1/4"	1 1/4"
I	16	20	25	32	40	50	63	71	90	112
J	16	20	25	32	40	50	63	71	90	112
M1	70	80	92	92	104	126	146	166	187	247
M2	38	44	52	57	64	66	86	86	107	127
N1	15	19	19	24	29	36	37	37	41	45
N2	3	4	4	4	5	5	6	6	7	8
NV (d1)	12	14	17	22	28	36	46	60	75	95
NV (d2)	14	17	22	28	36	46	60	75	95	120
O	28	32	32	38	45	54	57	60	66	75
P	12	16	20	25	32	40	50	63	80	100
Q	12	16	20	25	32	40	50	63	80	100
R (d1)	16	18	22	28	36	45	56	63	85	95
R (d2)	18	22	28	36	45	56	63	85	95	112
S	35	42	50	60	75	95	120	150	193	244
T	58	67	75	93	113	128	158	192	235	290
Z (d1)	M12x1,25	M14x1,5	M16x1,5	M20x1,5	M27x2	M33x2	M42x2	M48x2	M64x3	M80x3
Z (d2)	M14x1,5	M16x1,5	M20x1,5	M27x2	M33x2	M42x2	M48x2	M64x3	M80x3	M100x3

Alle angivne mål er i (mm). Ret til ændringer forbeholdes.

Alle angegebenen Maße sind in (mm). Wir behalten uns das Recht auf Änderungen vor.

Unless otherwise specified, all dimensions are in (mm). Right to alterations reserved.

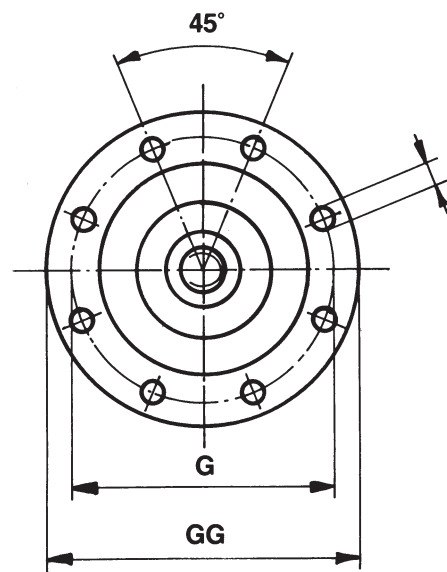
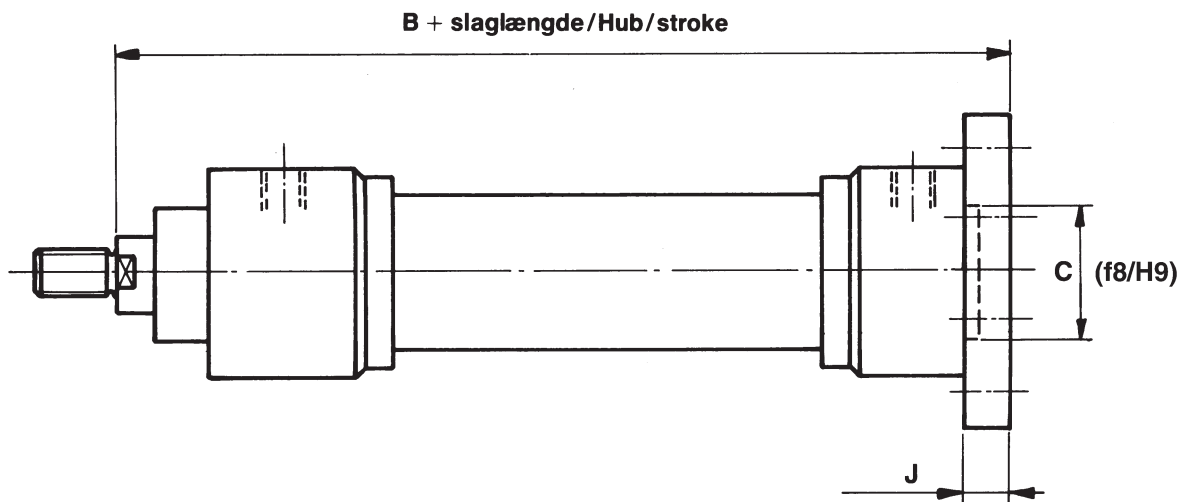
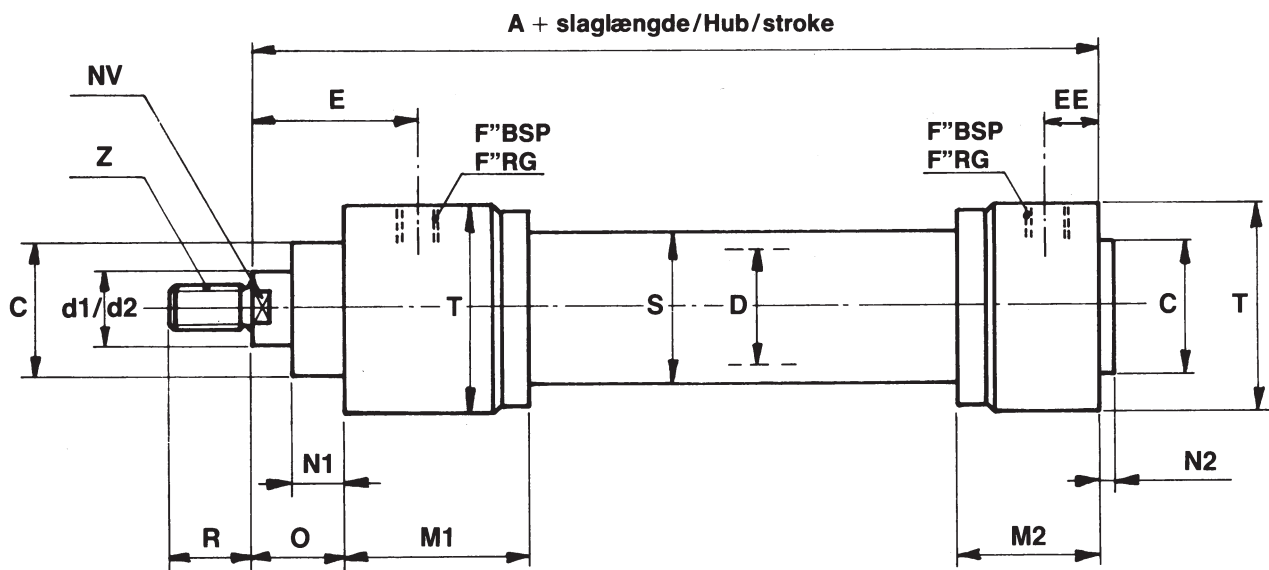


Lind Jensens Maskinfabrik A/S
Kroghusvej 7, Højmark
DK-6940 Lem St. • Denmark
Home page: www.ljm.dk





Målskitse / Maßblatt / Dimension sketch NH41-C



Lind Jensens Maskinfabrik A/S
Kroghusvej 7, Højmark
DK-6940 Lem St. • Denmark
Home page: www.ljm.dk



Hydraulik



Målskema / Maßtabelle / Dimension table

NH41-C

Index \ D	25	32	40	50	63	80	100	125	160	200
	A	150	170	190	205	224	250	300	325	370
B	162	186	206	225	249	282	332	357	406	490
d1 d2	14 18	18 22	22 28	28 36	36 45	45 56	56 70	70 90	90 110	110 140
C (f8/H9)	32	40	50	60	70	85	106	132	160	200
EE	13	15,5	18,5	19	21	21	29	27	35	43
E	64	68	72	76	90	110	128	145	154	205
F	1/4"	3/8"	1/2"	1/2"	3/4"	3/4"	1"	1"	1 1/4"	1 1/4"
G	75	92	106	126	145	165	200	235	280	340
GG	90	110	125	150	170	195	240	275	320	385
I	6,6	9	9	11	14	18	22	22	22	26
J	12	16	16	20	25	32	32	32	36	40
M1	70	80	92	92	104	126	146	166	187	247
M2	38	44	52	57	64	66	86	86	107	127
N1	15	19	19	24	29	36	37	37	41	45
N2	3	4	4	4	5	5	6	6	7	8
NV (d1)	12	14	17	22	28	36	46	60	75	95
NV (d2)	14	17	22	28	36	46	60	75	95	120
O	28	32	32	38	45	54	57	60	66	75
R (d1)	16	18	22	28	36	45	56	63	85	95
R (d2)	18	22	28	36	45	56	63	85	95	112
S	35	42	50	60	75	95	120	150	193	244
T	58	67	75	93	113	128	158	192	235	290
Z (d1)	M12x1,25	M14x1,5	M16x1,5	M20x1,5	M27x2	M33x2	M42x2	M48x2	M64x3	M80x3
Z (d2)	M14x1,5	M16x1,5	M20x1,5	M27x2	M33x2	M42x2	M48x2	M64x3	M80x3	M100x3

Alle angivne mål er i (mm). Ret til ændringer forbeholdes.

Alle angegebenen Maße sind in (mm). Wir behalten uns das Recht auf Änderungen vor.

Unless otherwise specified, all dimensions are in (mm). Right to alterations reserved.

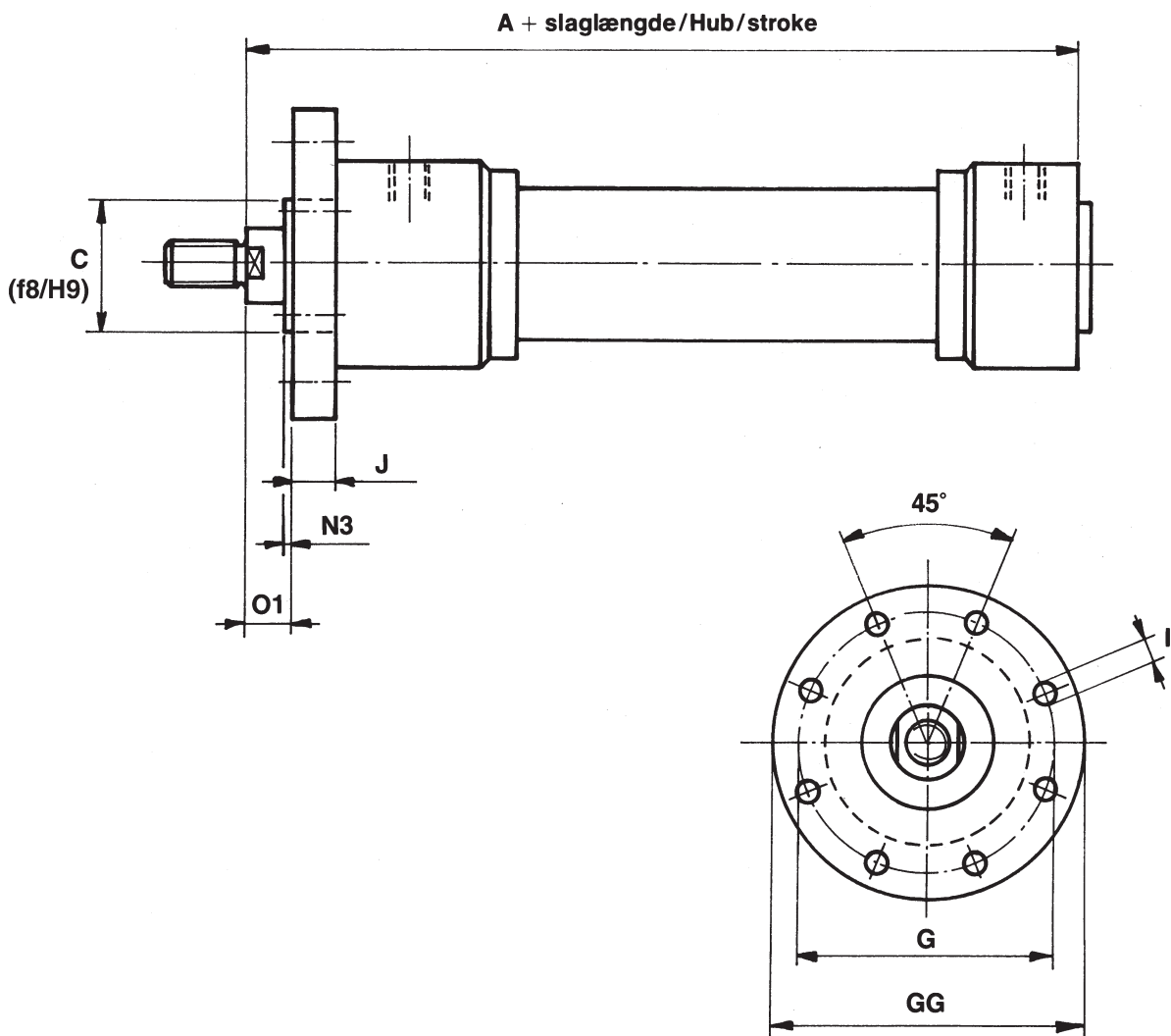
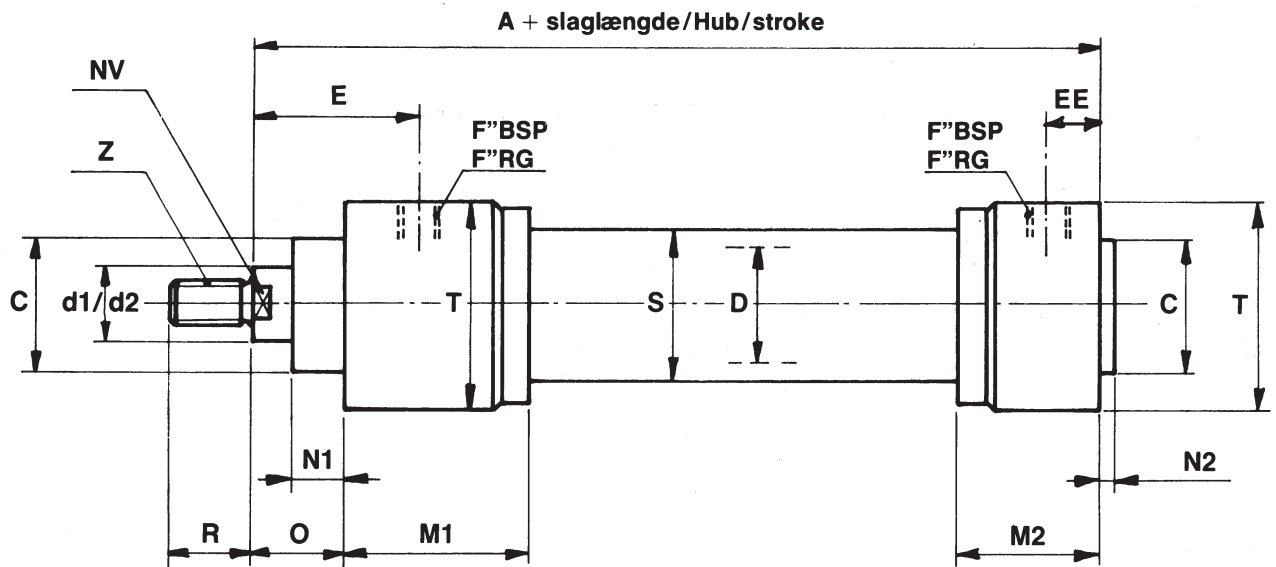


Lind Jensens Maskinfabrik A/S
Kroghusvej 7, Højmark
DK-6940 Lem St. • Denmark
Home page: www.ljm.dk





Målskitse / Maßblatt / Dimension sketch NH41-F



Lind Jensens Maskinfabrik A/S
Kroghusvej 7, Højmark
DK-6940 Lem St. • Denmark
Home page: www.ljm.dk



Hydraulik



Målskema / Maßtabelle / Dimension table

NH41-F

Index \ D	25	32	40	50	63	80	100	125	160	200
	A	150	170	190	205	224	250	300	325	370
d1 d2	14 18	18 22	22 28	28 36	36 45	45 56	56 70	70 90	90 110	110 140
C (f8/H9)	32	40	50	60	70	85	106	132	160	200
E	64	68	72	76	90	110	128	145	154	205
EE	13	15,5	18,5	19	21	21	29	27	35	43
F	1/4"	3/8"	1/2"	1/2"	3/4"	3/4"	1"	1"	1 1/4"	1 1/4"
G	75	92	106	126	145	165	200	235	280	340
GG	90	110	125	150	170	195	240	275	320	385
I	6,6	9	9	11	14	18	22	22	22	26
J	12	16	16	20	25	32	32	32	36	40
M1	70	80	92	92	104	126	146	166	187	247
M2	38	44	52	57	64	66	86	86	107	127
N1	15	19	19	24	29	36	37	37	41	45
N2	3	4	4	4	5	5	6	6	7	8
N3	3	3	3	4	4	4	5	5	5	5
NV (d1)	12	14	17	22	28	36	46	60	75	95
NV (d2)	14	17	22	28	36	46	60	75	95	120
O	28	32	32	38	45	54	57	60	66	75
O1	16	16	16	18	20	22	25	28	30	35
R (d1)	16	18	22	28	36	45	56	63	85	95
R (d2)	18	22	28	36	45	56	63	85	95	112
S	35	42	50	60	75	95	120	150	193	244
T	58	67	75	93	113	128	158	192	235	290
Z (d1)	M12x1,25	M14x1,5	M16x1,5	M20x1,5	M27x2	M33x2	M42x2	M48x2	M64x3	M80x3
Z (d2)	M14x1,5	M16x1,5	M20x1,5	M27x2	M33x2	M42x2	M48x2	M64x3	M80x3	M100x3

Alle angivne mål er i (mm). Ret til ændringer forbeholdes.

Alle angegebenen Maße sind in (mm). Wir behalten uns das Recht auf Änderungen vor.

Unless otherwise specified, all dimensions are in (mm). Right to alterations reserved.

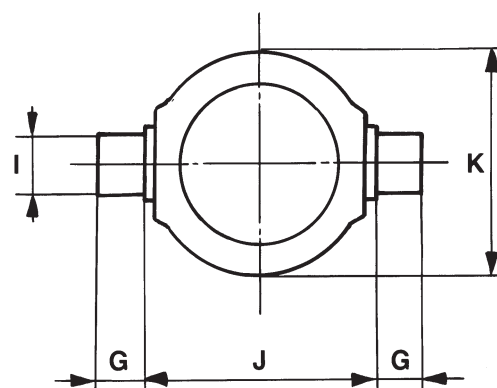
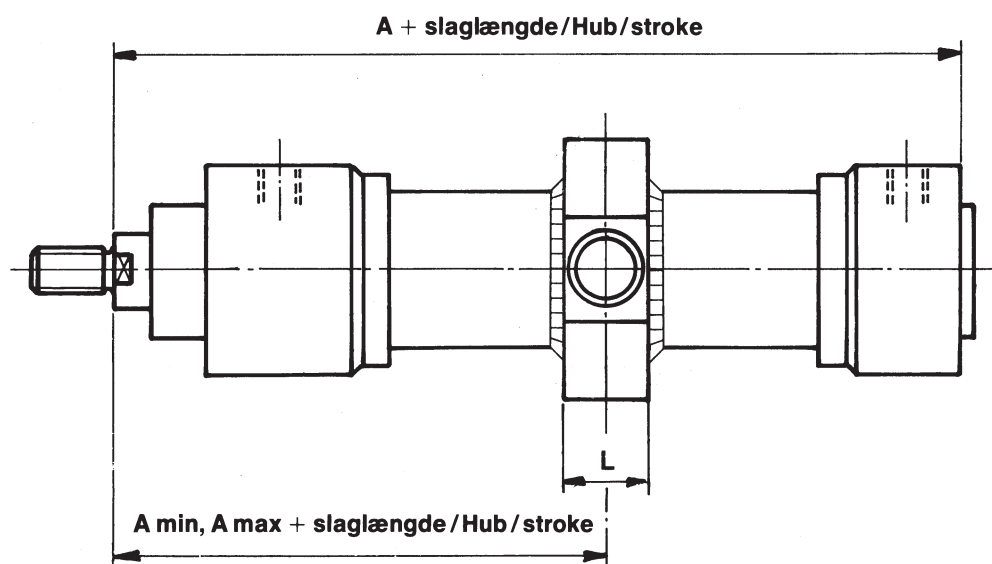
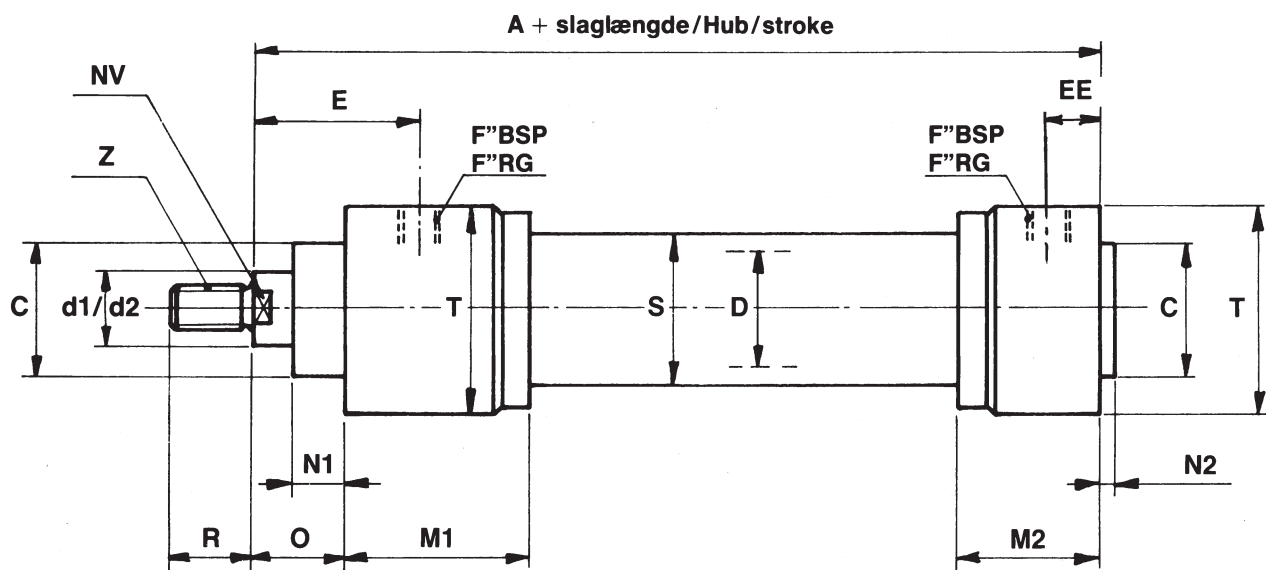


Lind Jensens Maskinfabrik A/S
Kroghusvej 7, Højmark
DK-6940 Lem St. • Denmark
Home page: www.ljm.dk





Målskitse / Maßblatt / Dimension sketch NH41-V



Lind Jønsens Maskinfabrik A/S
Kroghusvej 7, Højmark
DK-6940 Lem St. • Denmark
Home page: www.ljm.dk

LJM

Hydraulik



Målskema / Maßtabelle / Dimension table

NH41-V

Index \ D	25	32	40	50	63	80	100	125	160	200
	A	150	170	190	205	224	250	300	325	370
A min	115	131	146	157	180	217	246	280	313	393
A max	95	106	116	122	130	147	171	185	203	253
d1 d2	14 18	18 22	22 28	28 36	36 45	45 56	56 70	70 90	90 110	110 140
C (f8)	32	40	50	60	70	85	106	132	160	200
E	64	68	72	76	90	110	128	145	154	205
EE	13	15,5	18,5	19	21	21	29	27	35	43
F	1/4"	3/8"	1/2"	1/2"	3/4"	3/4"	1"	1"	1 1/4"	1 1/4"
G	10	12	16	20	25	32	40	50	63	80
I (f8)	12	16	20	25	32	40	50	63	80	100
J (h12)	63	75	90	105	120	135	160	195	240	295
K	66	70	79	98	118	133	163	197	240	295
L	25	30	35	40	45	60	70	90	100	120
M1	70	80	92	92	104	126	146	166	187	247
M2	38	44	52	57	64	66	86	86	107	127
N1	15	19	19	24	29	36	37	37	41	45
N2	3	4	4	4	5	5	6	6	7	8
NV (d1)	12	14	17	22	28	36	46	60	75	95
NV (d2)	14	17	22	28	36	46	60	75	95	120
O	28	32	32	38	45	54	57	60	66	75
R (d1)	16	18	22	28	36	45	56	63	85	95
R (d2)	18	22	28	36	45	56	63	85	95	112
S	35	42	50	60	75	95	120	150	193	244
T	58	67	75	93	113	128	158	192	235	290
Z (d1)	M12x1,25	M14x1,5	M16x1,5	M20x1,5	M27x2	M33x2	M42x2	M48x2	M64x3	M80x3
Z (d2)	M14x1,5	M16x1,5	M20x1,5	M27x2	M33x2	M42x2	M48x2	M64x3	M80x3	M100x3
*) Min. slaglængde	20	25	30	35	50	70	75	95	110	140

*) Ønskes mindre slaglængde monteres distancebøsning.

Wird ein geringerer Hub gewünscht, werden Abstandhülsen montiert.

If a shorter stroke is required, a spacing bush should be fitted.

Alle angivne mål er i (mm). Ret til ændringer forbeholdes.

Alle angegebenen Maße sind in (mm). Wir behalten uns das Recht auf Änderungen vor.

Unless otherwise specified, all dimensions are in (mm). Right to alterations reserved.



Lind Jensens Maskinfabrik A/S
Kroghusvej 7, Højmark
DK-6940 Lem St. • Denmark
Home page: www.ljm.dk





Specification form 5

Order code NH41/42

NH 41 160 bar
 NH 42 250 bar -X-X-D/d x L-X-X-X-X-X-X-()-X

Model:

Basic types:

- Blank: No mounting
- S: Spherical bearing
- C: Bottom flange
- F: Front flange
- V: Trunnion mounting

Funktion:

- D: Double acting
- E₁: Single acting, compressive
- E₂: Single acting, tractive

Bore:

Piston rod diameter:

**Stroke:

Position of trunnion mounting:

Digit: distance from tipping trunnion to mounting on piston rod

Digit: Length of spacer bush

Digit: in () = piston rod extension

H: Through going rod

*Specialpakninger:

- TN: Teflon
- TV: Teflon-viton

"B": Damping in bottom

"T": Damping in top

Piston rod materials:

- Ni: Nickel / chrome
- RS: Rust/acid proof
- Blank: Steel
- (All hard-chrome plated)

Piston rod mounting

- S: Spherical bearing
- G: Thread

* Special seals to be used under extreme conditions, i.e. where pressure, velocities, temperature and pressure media fall outside the technical specifications. Ask the "Cylinder Consultant" for guidance.

** Min. stroke for NH 41/42, Ø 25, 32 and 40 is 25 mm, i.e. the installation for these models can never be less than those corresponding to a stroke of 25 mm. If a shorter stroke is required, a spacing bush should be fitted.



Lind Jensens Maskinfabrik A/S
 Kroghusvej 7, Højmark
 DK-6940 Lem St. • Denmark
 Home page: www.ljm.dk

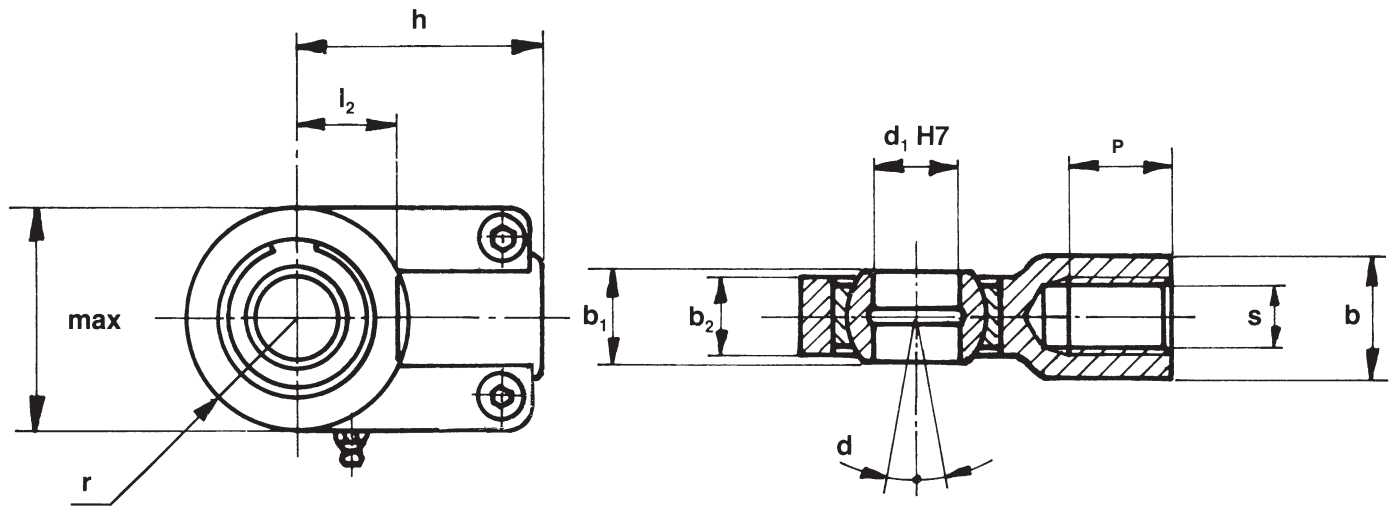




Ledlejhoved for cylindertype NH 41/42

Gelenklagerkopf für Zylindertyp NH 41/42

Spherical bearing head for cylinder model NH 41/42



Ledlejhoved passer til alle NH 41/42 cylindre med gevind på stempelstang (d_1 / d_2)
 Gelenklagerkopf passend zu allen NH 41742 Zylindern mit Gewinde an der Kolbenstange (d_1 / d_2)
 The spherical bearing head fits all NH 41/42 cylinders with threaded piston rod (d_1 / d_2)

d1 / d2	14	18	22	28	36	45	56	70	90	110	140
Index	14	18	22	28	36	45	56	70	90	110	140
l	17	19	23	29	37	46	57	64	86	96	135
b	16,5	21	25	30	38	47	58	70	90	110	113
max	32	40	50	62	76	97	118	142	180	224	290
h	38	44	52	65	80	97	120	140	180	210	260
p H7	12	16	20	25	32	40	50	63	80	100	125
b ₂	10,6	13	17	21	27	32	40	52	66	84	102
b ₁	12	16	20	25	32	40	50	63	80	100	125
r	16	20	25	32	40	50	63	71	90	112	160
l ₂	14	18	22	27	32	41	50	62	78	98	120
α	4	4	4	4	4	4	4	4	4	4	4
Type s	M12x1,25	M14x1,5	M16x1,5	M20x1,5	M27x2	M33x2	M42x2	M48x2	M64x3	M80x3	M100x3
Kg	0,10	0,20	0,40	0,66	1,2	2,1	4,4	7,6	14,5	28,0	43,0

Materiale: Sejrn
 Material: Stahlguss
 Material: Steel-cast iron

Glidetype: Stål/Stål
 Gleittyp: Stahl/Stahl
 Type of slide: Steel/Steel



Lind Jensens Maskinfabrik A/S
 Kroghusvej 7, Højmark
 DK-6940 Lem St. • Denmark
 Home page: www.ljm.dk



Innovative solutions tailored to your requirements:

- Hydraulics, power units and valves
- Pressure test units, high pressure hydraulics
- Production aids, machines

A wide range of excellent products:

- Proportional valves, emergency shut off valves, as well for hazardous areas
- Test couplings, check valves, pressure gauges
- Miniature-air/oil-coolers

Hydraulic components from well-known manufacturers,

- chosen by our high demands
- on quality and delivery reliability!

Repairs and maintenance

- on hydraulic parts and systems
- carried out by our specialists.

Your partner for
hydraulics and engineering
