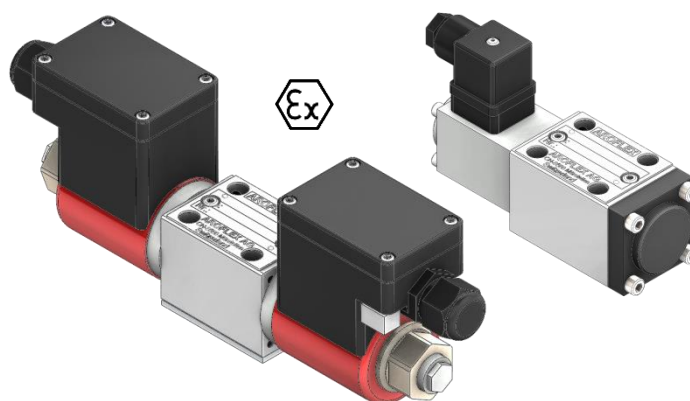


- direct operated, 3-way pressure reducing valve
- $Q_{max} = 8 \text{ l/min}$
- pressure range = 0 - 50 bar
- body stainless steel (optional)



Description

The proportional pressure reducing valve (3-way function) is used to control pressure and direction in hydraulic systems, where the pressure frequently has to be changed. Proportional to the solenoid current, solenoid force and pressure in port A or B rises. With deenergized solenoid, port A and B are connected to port T (throttled). The valve function is practically independent of the pressure in port P.



The proportional pressure reducing valve can be delivered with 1 or 2 solenoids. For pressure reducing only in A or B, it needs only one solenoid. For pressure reducing in A and B, it needs two solenoids.

Application

A typical application is for example a pilot valve for larger proportional directional control valves.

Technical Data

General Specifications	DRV	DRV-Exm	DRV-Exd
Description:	spool valve, direct operated		
Mounting position:	longitudinal axis horizontal (vertical only after consulting the manufacturer)		
Nominal size:	NG6, DIN 24340 A 06, ISO 4401-03, Cetop 3		

Solenoid coil	M35	Standard	Exm	Exd
Explosion protection marking:	none	none	 II 2 G Ex emb II T4	 II 2 G Ex d IIC T4
Type:			2A52W	2A67W
EC-type examination certificate:			PTB 01 ATEX 2129 X	PTB 98 ATEX 1009
Ambient temperature:	- 20° ... + 50°C		- 20° ... + 40°C	- 20° ... + 60°C
Rated voltage:	24 VDC ¹	24 VDC ¹	24 VDC	24 VDC
Current range:	0 - 0.68 A	0 - 0.9 A	0 - 0.7 A*	0 - 0.58 A*
Rated Power:	16 W	21.6 W	17 W	14 W
Operating time:	100%			
Protection class:	IP65 acc. to EN 60 529			
Connection:	Plug connection ISO 4400/DIN 43650 (2P+E)		Terminal box	Terminal box with thread M20x1.5

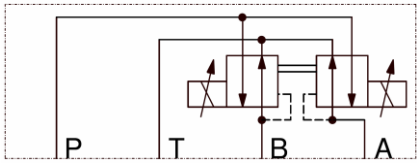
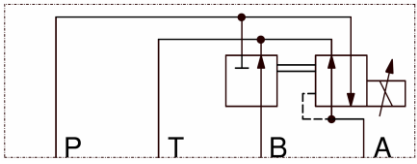
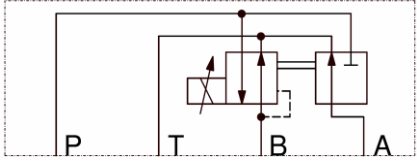
Safety instructions for Exm and Exd

The solenoid coils must only be mounted on those valves assigned to. It is essential to read the solenoids operating instructions.
*It must be ensured to remain within the rated voltage and power, with higher temperatures it's not possible to utilise the full current range.

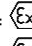
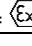
Hydraulic Specifications			
Max. volume flow:	$Q_{max} = 8 \text{ l/min}$		
Max. pressure:	315 bar (for optimal control behaviour max. 100 bar)		
Pressure range:	0 - 20 bar, 0 - 30 bar	0 - 35 bar, 0 - 50 bar	0 - 20 bar, 0 - 30 bar, 0 - 45 bar
Fluid:	Mineral oil, other fluids on request		
Fluid temperature:	- 20° ... + 70°C	- 20° ... + 40°C	- 20° ... + 60°C
Viscosity range:	12 - 320 mm ² /s (cSt)		
Filtration:	25 µm minimum, recommended: 10µm or better		

¹ valves with standard coils are available with 12V DC too.


Overview

Symbols	Description	Design
	DRVAB-06-3-...D	Pressure reducing in A and B (4/3 way function)
	DRVA-06-3-...D	Pressure reducing in A (4/2 way function)
	DRVB-06-3-...D	Pressure reducing in B (4/2 way function)

Type code

DRV	...	-06	-3	-...	.D	-...	-...
							omit = 24 VDC standard 12 VDC = 12 VDC M35 = 24 VDC Exm =  II 2 G Ex emb II T4 Exd =  II 2 G Ex d IIC T4 omit = standard 316L = body stainless steel pressure range 20 = 0 - 20 bar 30 = 0 - 30 bar 35 = 0 - 35 bar (standard only) 45 = 0 - 45 bar (Ex only) 50 = 0 - 50 bar (standard only) 06 = NG 6 AB = pressure reducing in A and B A = pressure reducing in A B = pressure reducing in B proportional pressure reducing valve

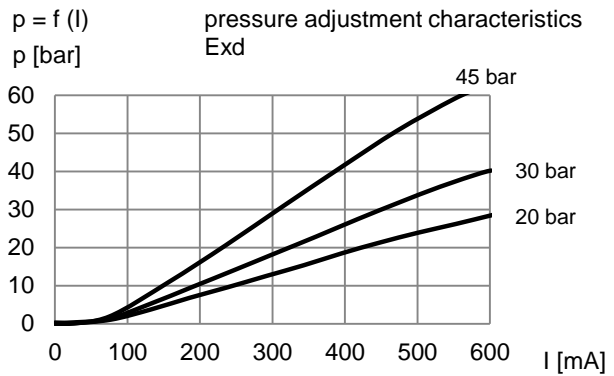
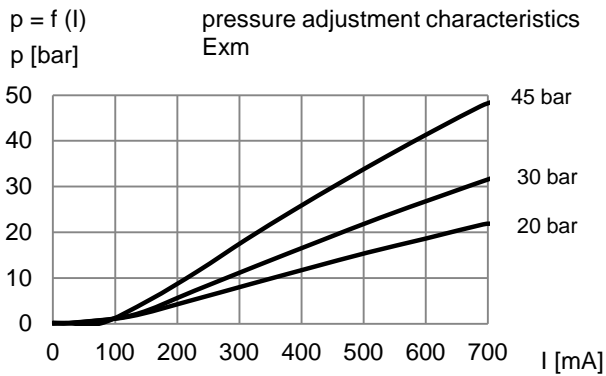
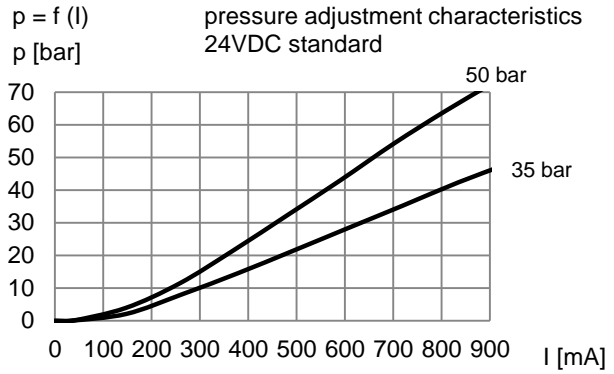
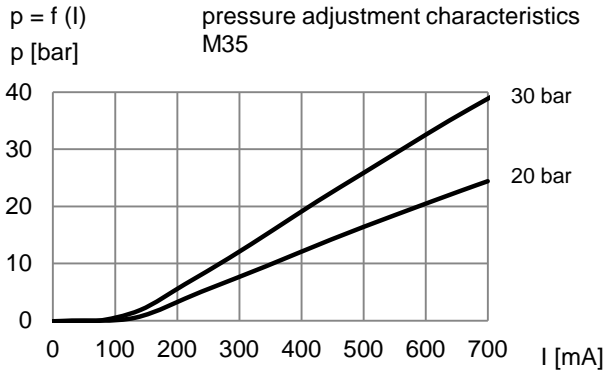
Ordering code (example):

- Proportional pressure reducing valve NG6
- 4/3 way function with pressure reducing in A and B
- Explosion proof execution  II 2 G Ex emb II T4
- Pressure range 0 - 30 bar

Type code

DRVAB-06-3-30.D-Exm

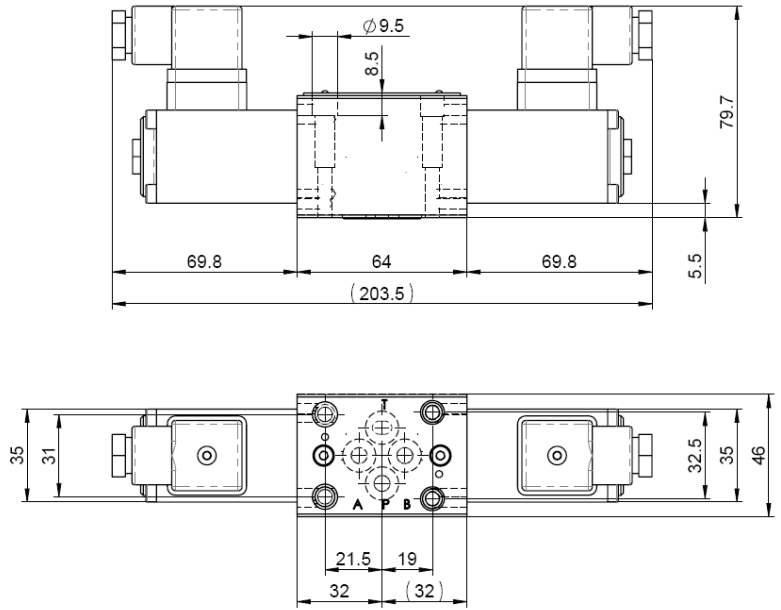
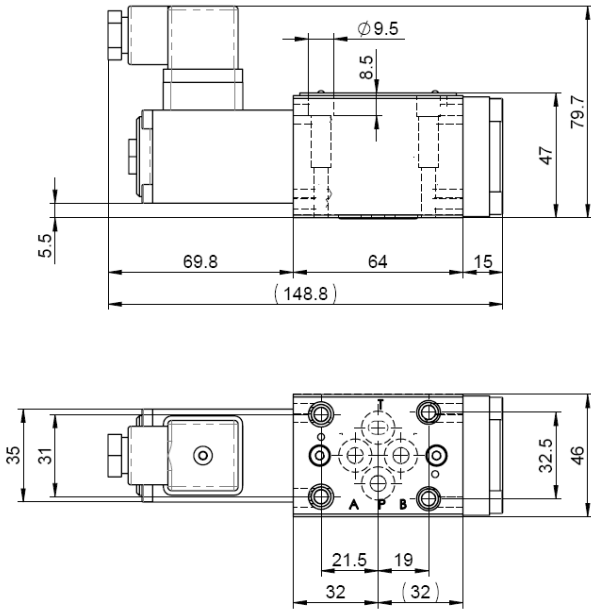
Characteristics



Dimensions

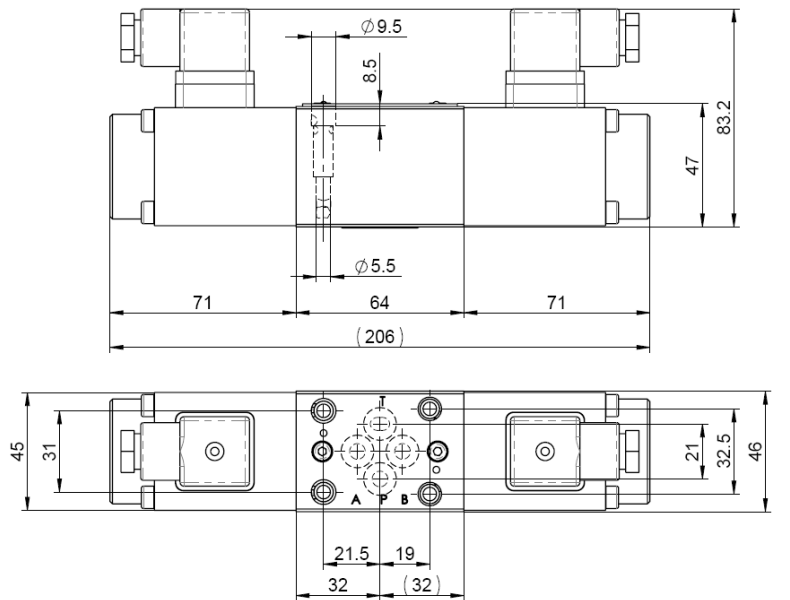
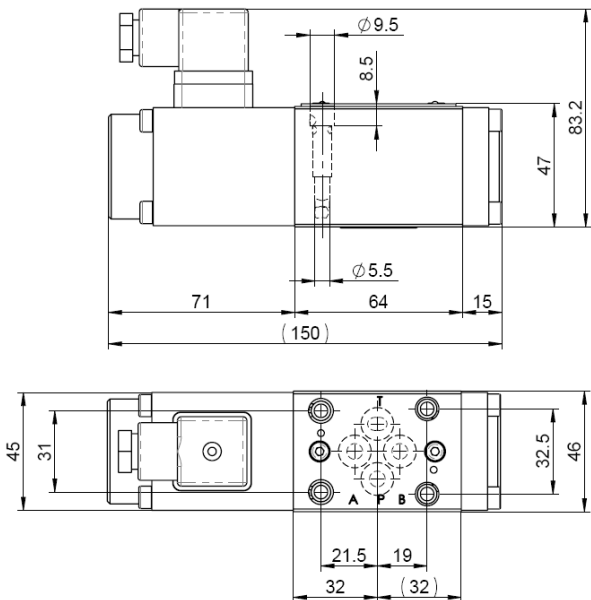
DRVA-06-3-....D-M35 / DRVB-06-3-....D-M35
pictured: DRVB-06-3-....D-M35
Weight: 1.6 kg

DRVAB-06-3-....D-M35
Weight: 1.9 kg



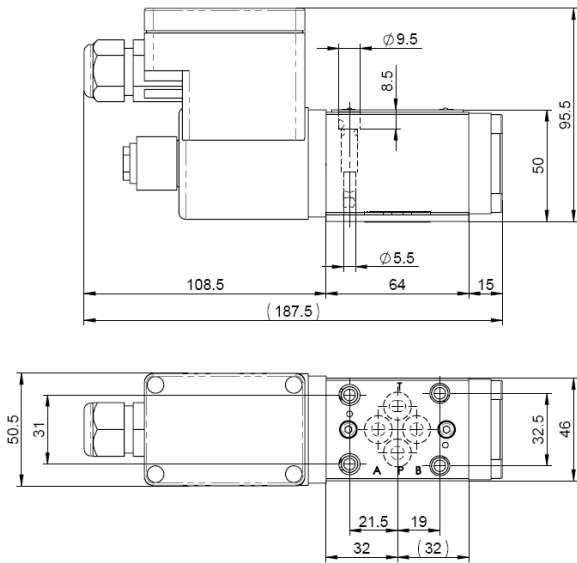
DRVA-06-3-....D / DRVB-06-3-....D
pictured: DRVB-06-3-....D
Weight: 2 kg

DRVAB-06-3-....D
Weight: 2.7 kg

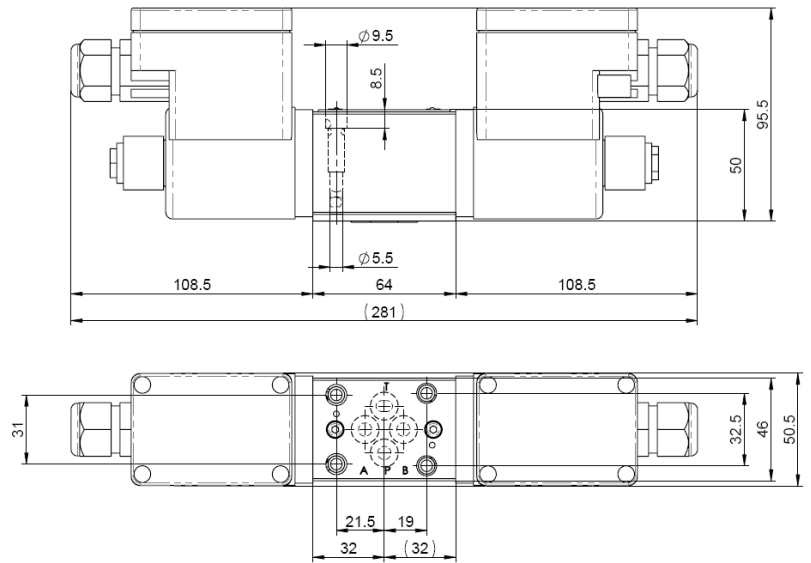


**Proportional pressure reducing valve NG6
DRV-06**

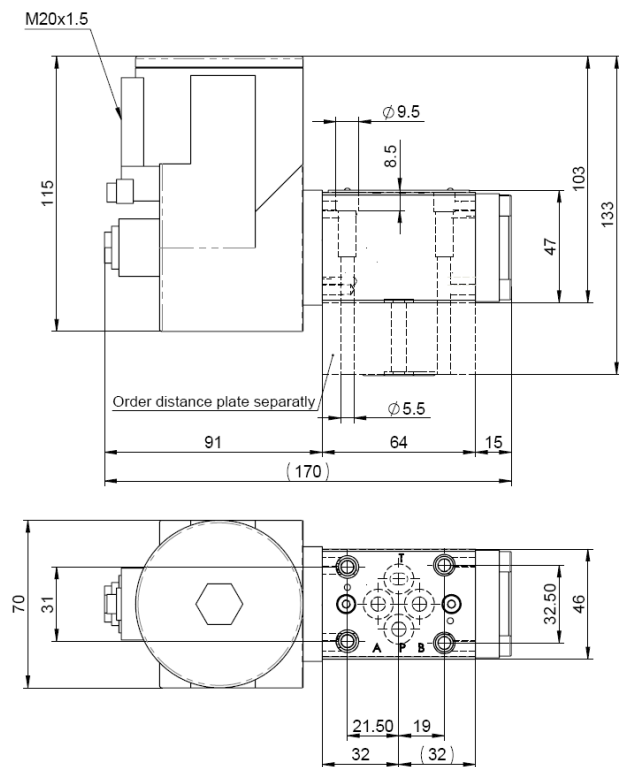
DRVA-06-3-....D-Exm / DRVB-06-3-....D-Exm
pictured: DRVB-06-3-....D-Exm
Weight: 2.1 kg



DRVAB-06-3-....D-Exm
Weight: 2.8 kg



DRVA-06-3-....D-Exd / DRVB-06-3-....D-Exd
pictured: DRVB-06-3-....D-Exd
Weight: 3.2 kg



DRVAB-06-3-....D-Exd
Weight: 5.1 kg

