

CHFA - Single acting aluminium hollow cylinders with spring return

The CHFA series consists of cylinders made in aluminium. This makes the products up to 50% lighter than equivalent models made in steel. Thanks to the design with a centre hole the hollow cylinders can be used for both push- and pulling-operations.

CHFA cylinders are available in capacities from 12 ton up to 100 ton, hydraulic stroke up to 150 mm.

TS - Cylinder support plates

Support plates for CHFA cylinders are a simple and foremost cost effective way to protect the cylinder base against damage. Cylinder support plates are available for all CHFA cylinders.

You can find more information about TS - cylinder support plates in the Product chooser at www.nikehydraulics.com



Options for quick couplings

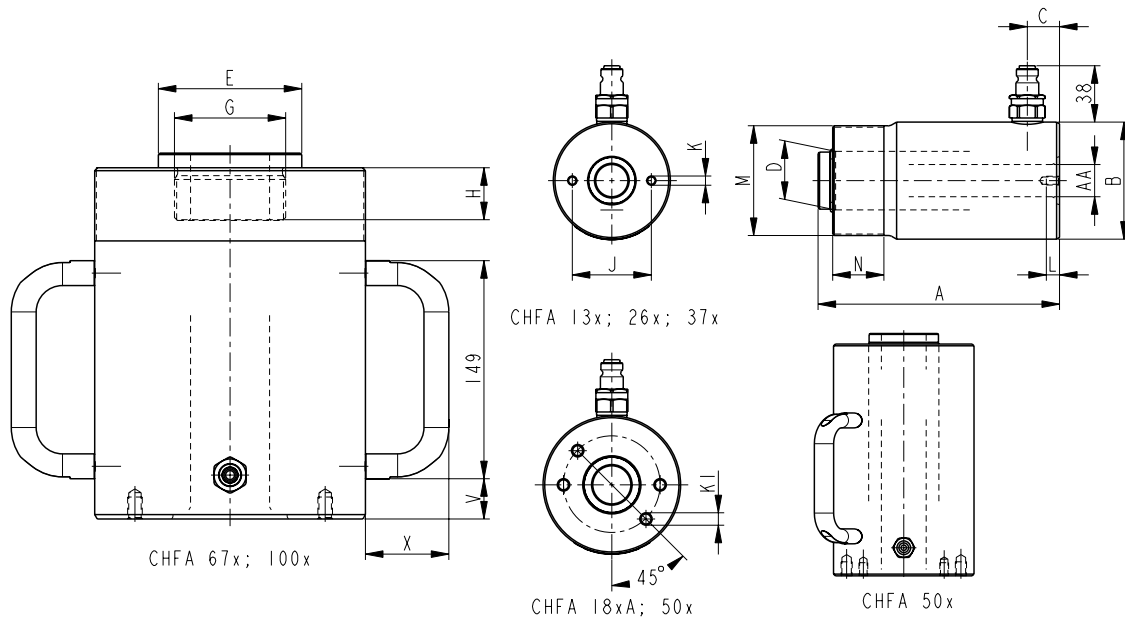
All cylinders can be delivered with quick couplings of insert type - male ⁽¹⁾ or of screw model - female ⁽²⁾. When ordering cylinders with screw type coupling, put "P" at the end of the model (e.g. CFC1010P).





Technical data

Name	Working press. MPa	Capacity kN (t)	Stroke mm	Stroke volume cm ³	Piston ø mm	Piston area cm ²	Diameter mm	Height mm	Weight kg
CHFA132	70	123 (13)	52	92	40	17.6	80	165	2.3
CHFA136	70	123 (13)	153	270	40	17.6	80	310	4
CHFA182A	70	176 (18)	51	128	45	25.1	94	171	3
CHFA184A	70	176 (18)	102	256	45	25.1	94	246	4
CHFA262	70	255 (26)	51	186	60	36.4	115	180	4.9
CHFA266	70	255 (26)	153	557	60	36.4	115	323	8.7
CHFA372	70	358 (36)	51	261	70	51.2	136	189	6.9
CHFA376	70	358 (36)	153	784	70	51.2	136	327	12
CHFA504	70	508 (52)	104	756	80	72.7	160	276	14.7
CHFA673	70	659 (67)	77	726	100	94.2	185	250	18
CHFA676	70	659 (67)	153	1442	100	94.2	185	350	25
CHFA1003	70	1010 (103)	77	1111	120	144.3	227	284	29
CHFA1006	70	1010 (103)	153	2208	120	144.3	227	391	40



Name	Capacity kN (t)	A mm	B ø mm	C mm	D ø mm	E ø mm	G	H mm	J mm	K x2	K1 x2	L mm	M	N mm	V mm	X mm	AA ø mm
CHFA132	123 (13)	165	80	22	40	39	M30x1,5	17	54	M6	-	9	M75x2	35	-	-	22
CHFA136	123 (13)	310	80	22	40	39	M30x1,5	17	54	M6	-	9	M75x2	35	-	-	22
CHFA182A	176 (18)	171	94	22	45	45	M35x1,5	25	66	M8	M8	10	M90x2	35	-	-	26
CHFA184A	176 (18)	246	94	22	45	45	M35x1,5	25	66	M8	M8	10	M90x2	35	-	-	26
CHFA262	255 (26)	180	115	26	60	59	M45x1,5	29	86	M10	-	12	M115x2	35	-	-	32
CHFA266	255 (26)	323	115	26	60	59	M45x1,5	29	86	M10	-	12	M115x2	35	-	-	32
CHFA372	358 (36)	189	136	28	70	68	M50x2	30	105	M10	-	15	M130x2	35	-	-	39
CHFA376	358 (36)	327	136	28	70	68	M50x2	30	105	M10	-	15	M130x2	35	-	-	39
CHFA504	508 (52)	276	160	32	80	79	M62x1,5	32	130.2	W1/2"	M10	15	-	-	37.5	57	51
CHFA673	659 (67)	250	185	30	100	98	M76x3	36	130	M10	-	15	-	-	28	57	54
CHFA676	659 (67)	350	185	30	100	98	M76x3	36	130	M10	-	15	-	-	102	57	54
CHFA1003	1010 (103)	284	227	34	120	118	M90x2	42	185	M12	-	16	-	-	47	57	66
CHFA1006	1010 (103)	391	227	34	120	118	M90x2	42	185	M12	-	16	-	-	122	57	66



www.nikehydraulics.com

NIKE HYDRAULICS AB
 Box 1107
 631 80 Eskilstuna
 SWEDEN
 Tel +46 16 - 16 82 00
 Fax +46 16 - 13 93 16
 info@nikehydraulics.se

NIKE HYDRAULICS Inc.
 3980 W. Albany, Unit #1
 MCHENRY, IL 60050
 USA
 Tel + 1 815 385 7777
 Fax + 1 815 385 7776
 info@nikehydraulics.com

NIKE POWER EQUIPMENT Ltd.
 Unit 6, Stechford Trading Estate
 Lyndon Road, Stechford
 BIRMINGHAM B33 8BU, UK
 Tel +44 121 789 77 07
 Fax +44 121 789 68 66
 info@nikehydraulics.co.uk